

WM1 Sant Brass Water Meter Multi - Jet (Dry Dial) Conf. to ISO - 4064 Class - B

Description

Sant Water Meter for Hot & Cold water is manufactured using advanced technology, in which the register device is combined pointers and rolling counters for convenience, clarity & correctness as well as nice appearance. The register system is designed by means of magnetic drive, which is hermetically sealed and completely separates register system from water. These water meters have high accuracy of measurement and steady error curve of flow rate. The performance is more advanced than existing ISO - Standard



Accuracy

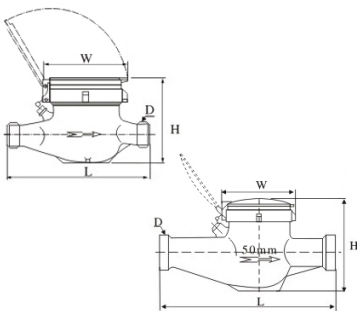
- From minimum flow-rate (Q_{min}) inclusive, to transitional flow-rate (Q_t), exclusive: $\pm 5\%$
- From transitional flow-rate (Q_t) inclusive, to overload flow-rate (Q_s), exclusive: $\pm 2\%$

Dimensions (in mm)

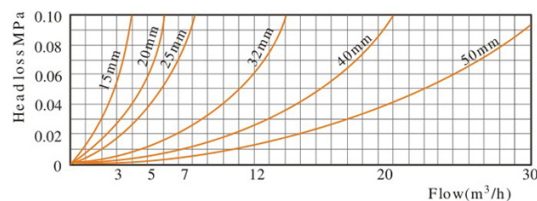
Size	L ± 2	W (Approx.)	H (Approx.)	D Connecting Thread
15	165	97	109	G 3/4" B
20	190	97	110	G 1" B
25	260	104	117	G 1.1/4" B
32	260	117	117	G 1.1/2" B
40	300	127	153	G 2" B
50	300	127	153	G 2.1/2" B

Technical Data

Nominal Size DN (mm)	Class of measurement	Maximum Flow Rate (m ³ /h)	Nominal Flow Rate (m ³ /h)	Transitional flow-rate (L/hr)	Minimum flow-rate (L/hr)	Maximum Reading (m ³)
15	B	3	1.5	120	30	99999
20	B	5	2.5	200	50	99999
25	B	7	3.5	280	70	99999
32	B	12	6	480	120	99999
40	B	20	10	800	200	99999
50	B	30	15	3000	450	99999



Head Loss Curve



Error Curve

