

## SSBVS Stainless Steel Ball Valve Screwed

### Product Description

HSN 84818090

Product : Sant Stainless Steel Ball Valve  
 Body Material Cum Standard : SS CF 8 M  
 Product Description : Two Piece Design Lever Operated  
 Type of Seat : Renewable PTFE Seat  
 Type of Ball : CF-8M/SS 316  
 Stem : SS 316  
 Packing : PTFE  
 End Details : Screwed Female BSP Taper Threads  
 Port Opening : Full Bore



### Testing & Certification

Body Test Pressure : 100kg/cm<sup>2</sup>g Hyd.  
 Seat Test Pressure : 100kg/cm<sup>2</sup>g Hyd.

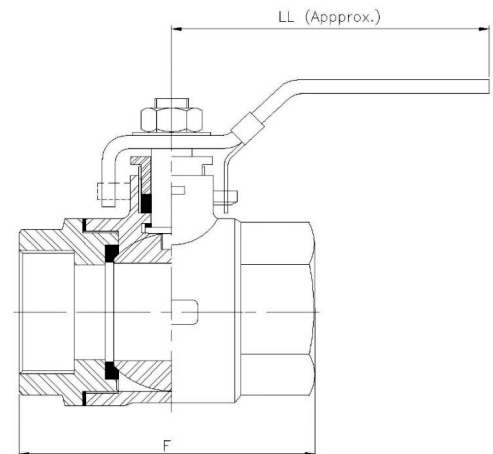
Our Works' Test Certificate is furnished with every supply.

### Materials of Construction

Components	Materials	Specifications
Body, Ball	S.S.	AISI-316/CF8-M
Stem	S.S.	AISI-316
Gasket, Gland packing, Thrust Washer, Seat	PTFE	—
Connector	C.C.S.	AISI-316/CF8-M
Gland Nut, Nut	S.S.	AISI-304
Lever	S.S.	AISI-201 With PVC Sleeve

### Dimensions (in mm)

Nominal Size	Nominal Size (Inches)	F±2	LL (Approx.)
15	1/2	61±2	104
20	3/4	71±2	109
25	1	81±2	125
32	1.1/4	97±2	139
40	1.1/2	106±2	153
50	2	118±2	158



### Notes

1. Product images are for illustration purposes only. Actual product may vary.
2. Actual dimensions may change over time, due to continual design improvements. Please confirm before placing order.