

FBV4 Brass Ball Valve with Strainer

Product Description

HSN 84818090

Product : Sant Forged Brass Ball Valve with Y Strainer
 Pressure Rating : PN-25
 Body Material cum standard : Forged Brass
 Product Description : Two piece design with Inbuild Strainer
 End Details : Screwed female BSP Parallel Threads

Testing & Certification

Body Test Pressure : 40kg/cm²g (Hyd.)
 Working Pressure : 25kg/cm²g (Hyd.)

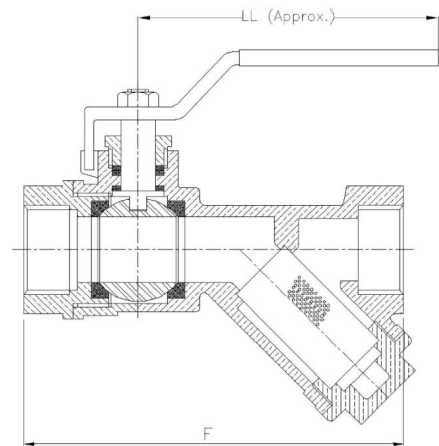


Materials of Construction

Components	Materials	Specifications
Nut	S.S.	-
Gland	Brass	-
Gland Seal	PTFE	-
Body of Ball Valve	Forged Brass	-
Seat	PTFE	-
Ball	Brass	-
Stem	Brass	-
Strainer Body	Forged Brass	-
Lever	M.S (Powder Coated)	-

Dimensions (in mm)

Size	F	H (Approx.)	LL (Approx.)
15	78	52	90
20	94	58	105
25	95	58	105
32	112	65	132
40	130	80	145



Notes