

CR-28D Ductile Iron Butterfly Valve Wafer Type

Product Description

HSN 84813030

Product : 'SANT' Ductile Iron Butterfly Valve
 Type of Pattern : Wafer Type
 Pressure / Class / Rating : PN 25
 Body Material cum Standard : SG Iron to IS:1865
 Description : Wafer Type
 Type of Seat : Nitrile / EPDM Lining
 Type of Disc : SS Seat (CF8)
 Trim : SS AISI-410
 End Details : Suitable insertion between Flanges as per BS 10 Table D/E or ASME B 16.1, Class 125



Note : Gear system will be provided for size above 150mm.

Testing & Certification

Body Test Pressure : 3.8MPa
 Seat Test Pressure : 2.7MPa

Our Works' Test Certificate is furnished with every supply.

Application

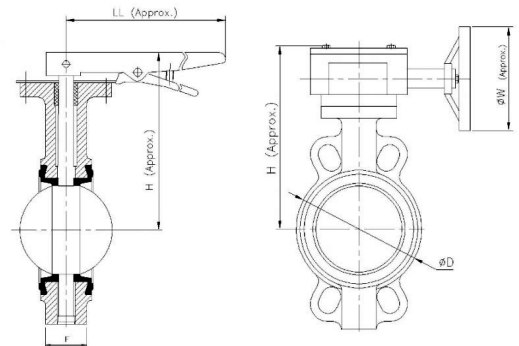
Water	Oil
-------	-----

Materials of Construction

Components	Materials	Specifications
Lever, Gear box, Handwheel	C.I.	IS:210 Gr. FG200
Stem	S.S	AISI-410
Cover Plate	Carbon Steel	—
Body,	S.G Iron /D.I.	IS:1865
Body Lining	Rubber	Nitrile / EPDM Lining
Disc	S.S.	CF8
Screw	Steel	—
Bolts & Nuts	S.S.	—

Dimensions (in mm)

Nominal Size	Nominal Size (Inches)	F	ØD	H (Approx.)	LL (Approx.)	ØW (Approx.)
40	1.1/2	33±2	85	145	200	—
50	2	43±2	95	150	200	—
65	2.1/2	46±2	110	165	200	—
80	3	46±2	125	175	200	—
100	4	52±2	153	200	260	—
125	5	56±2	179	210	260	—
150	6	56±2	209	245	260	—
200	8	60±2	260	—	—	225
250	10	68±2	315	—	—	225
300	12	78±3	370	—	—	225



Notes

1. Product images are for illustration purposes only. Actual product may vary.