

CR-28C Cast Iron Butterfly Valve Wafer Type, PN 16

Product Description

HSN 84818030

Product : 'SANT' Cast Iron Butterfly Valve
 Type of Pattern : Short Pattern
 Pressure / Class / Rating : PN 16
 Body Material cum Standard : Cast Iron IS:210 Gr.FG200
 Description : Wafer Type
 Type of Seat : EPDM Lining
 Type of Disc : CF8M
 Stem : SS AISI-304
 End Details : Suitable insertion between Flanges as per BS 10 Table D/E ANSI B 16.1 Class 125

Note : Gear system will be provided for size above 150mm.

Testing & Certification

Body Test Pressure : 2.4MPa (348 Psig) Hyd
 Seat Test Pressure : 1.6MPa (232 Psig) Hyd

Our Works' Test Certificate is furnished with every supply.

Application

Water	Oil
-------	-----

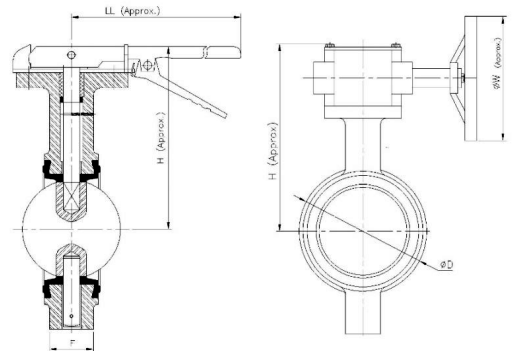


Materials of Construction

Components	Materials	Specifications
Pin, Lower Stem, Upper Stem	S.S	AISI-304
Cover Plate	Carbon Steel	—
Body	C.I.	IS:210 Gr.FG200
Body Lining	EPDM	—
Disc	S.S.	CF8M
Screw	Carbon Steel	—
Bolts & Nuts	Carbon Steel	Min UTS 390N/mm2
Lever	M.S. / D.I.	—

Dimensions (in mm)

Nominal Size	Nominal Size (Inches)	F	ØD	H (Approx.)	LL (Approx.)	ØW (Approx.)
40	1.1/2	33±2	85	152	200	—
50	2	43±2	95	171	200	—
65	2.1/2	46±2	110	182	200	—
80	3	46±2	124	192	200	—
100	4	52±2	153	213	260	—
125	5	56±2	174	234	260	—
150	6	56±2	209	248	260	—
200	8	60±2	260	335	—	240
250	10	68±2	315	375	—	240
300	12	78±3	370	404	—	285
350	14	92±3	418	475	—	355
400	16	102±3	470	505	—	355
450	18	114±3	525	580	—	450
500	20	127±3	575	625	—	625
600	24	154±4	693	700	—	625



Notes