

CR-24 Cast Iron Butterfly Valve Wafer Type

Product Description

HSN 84813030

Product : 'SANT' Cast Iron Butterfly Valve (Lever Operated)
 Type of Pattern : Short Pattern
 Pressure / Class / Rating : PN 10
 Body Material cum Standard : Cast Iron IS:210 Gr.FG200
 Description : Wafer Type
 Type of Seat : Nitrile / EPDM Lining
 Type of Disc : SS
 Trim : SS AISI-410
 End Details : Suitable insertion between Flanges as per BS 10 Table D/E ANSI B 16.1 CI-125



Testing & Certification

Body Test Pressure : 1.5MPa (218 Psig) Hyd
 Seat Test Pressure : 1.0MPa (145 Psig) Hyd

Our Works' Test Certificate is furnished with every supply.

Application

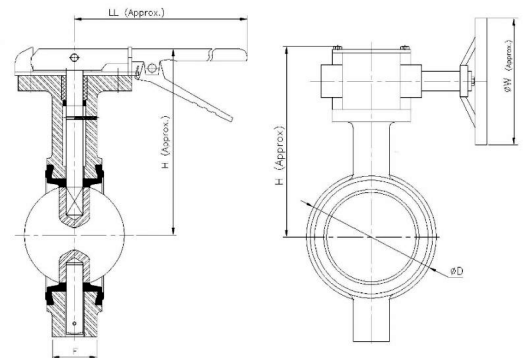
Water

Materials of Construction

Components	Materials	Specifications
Locking Screw, Pin, Indexing Plate	S.S.	AISI-410
Bush	PTFE	—
Body	C.I.	IS:210 Gr.FG200
Body Lining	Rubber	Nitrile / EPDM Lining
Disc	S.S.	—
Upper Stem, Lower Stem	S.S.	AISI-410
Bolts & Nuts	Carbon Steel	—
Lever	M.S. / D.I.	—

Dimensions (in mm)

Nominal Size	Nominal Size (Inches)	F	ØD	LL (Approx.)	H (Approx.)
40	1.1/2	33±2	82	175	121
50	2	43±2	95	175	133
65	2.1/2	46±2	106	175	141
80	3	46±2	124	175	145
100	4	52±2	152	260	178
125	5	56±2	173	260	200
150	6	56±2	210	260	210
200	8	60±2	260	350	276
250	10	68±2	315	350	325
300	12	78±3	370	350	360



Notes

1. Product images are for illustration purposes only. Actual product may vary.