

## CS-13 Cast Steel Moisture Separator Flanged

### Product Description

HSN 84818030

Product : Sant Cast Steel Moisture Separator  
Body Material cum standard : CCS (ASTM A-216 Gr. WCB)  
Product Description :  
End Details : Flanges as per BS10 Table F

### Testing & Certification

Body Test Pressure : 40kg/cm<sup>2</sup> Hyd.  
Maximum Working Temperature : 20kg/cm<sup>2</sup>

Our Works' Test Certificate is furnished with every supply.

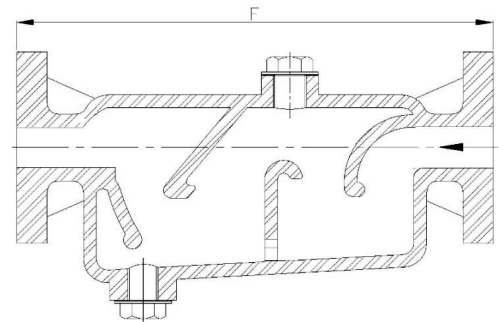


### Materials of Construction

Components	Materials	Specifications
Body	C.C.S.	ASTM A216 Gr. WCB
Gasket	Compressed Asbestos Fiber	—
Drain Plug	S.S.	AISI-410

### Dimensions (in mm)

Nominal Size	Nominal Size (Inches)	F	
25	1	300±2	
40	1.1/2	370±2	
50	2	466±2	
65	2.1/2	485±2	
80	3	485±2	
100	4	696±2	



### Notes

1. Product images are for illustration purposes only. Actual product may vary.
2. Actual dimensions may change over time, due to continual design improvements. Please confirm before placing order.