

CS-11 Cast Steel Ball Valve Flanged (IBR Approved)

Product Description

HSN 84818030

Product : 'SANT' Cast Steel Ball Valve
 Product Standard : BS 5351 / API 6D
 Type of Pattern : Straight Type
 Pressure / Class / Rating : Class 150
 Body Material cum Standard : CCS (ASTM A216 Gr.WCB)
 Description : Three Piece Design, Lever Operated
 Type of Seat : Renewable seat
 Trim : Stem S.S. ASTM A276 Type 410
 Ball : SS (ASTM A351 Gr. CF8 / AISI-304) Seat Ring & Gland Packing PTFE
 End Details : Flanges as per ANSI B 16.5 Class 150 R.F. Undrilled



Testing & Certification

Body Test Pressure : 30 Bar g (435 Psig) Hyd.
 Seat Test Pressure : 22 Bar g (320 Psig) Hyd. & 6.9 Bar g (100 Psig) Air
 Maximum Working Temperature : 250°C

Test Certificate in Form III-C as per IBR is furnished with every supply.

Application

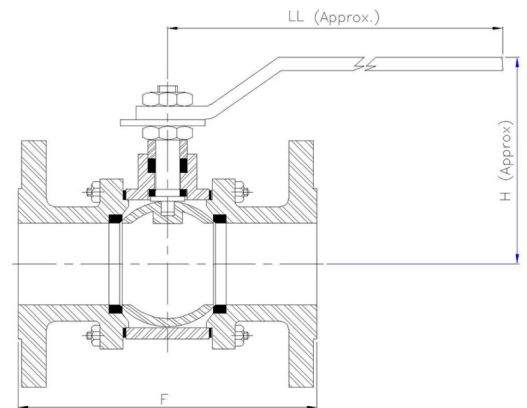
Water	Oil	Gas	Steam
-------	-----	-----	-------

Materials of Construction

Components	Materials	Specifications
Lever	Steel	with PVC Sleeve
Stem, Nut, Gland	13% Cr. S.S	AISI-410
Stopper	Steel	—
Packing Ring, Seat	PTFE / RPTFE	—
Studs & Nuts	Alloy Steel & H.T. Steel	ASTM A193 Gr.B7 & ASTM A194 Gr.2H
Ball	Stainless Steel	CF8 / AISI-304
Body, Body Connector	C.S.	ASTM A216 Gr.WCB
Gasket	CAF	BS:1832

Dimensions (in mm)

Nominal Size	Nominal Size (Inches)	F	H (Approx)	LL (Approx)
25	1	127±2	80	165
32	1.1/4	140±2	95	205
40	1.1/2	165±2	100	220
50	2	178±2	106	220
65	2.1/2	191±2	145	350
80	3	203±2	155	400
100	4	229±2	175	450



Notes

1. Product images are for illustration purposes only. Actual product may vary.