

CI-18 Cast Iron Ball Valve Class 125, Flanged (ISI Marked)

Product Description

HSN 84818030

Product : 'SANT' Cast Iron Ball Valve
 Product Standard : IS:9890 Class 125
 Body Material cum Standard : Cast Iron IS:210 Gr.FG220
 Description : Three piece design
 Type of Seat : Renewable Teflon
 Trim : Stem: SS AISI-410 Stainless Steel, Ball: SS AISI-304
 Gland Packing : Teflon Rings
 End Details : Flanges as per IS:3516-1966 undrilled/B.S.10 Table F



Testing & Certification

Body Test Pressure : 300 Psig. (21 bar g) Hyd.
 Seat Test Pressure : 220 Psig. (15.4 bar g) Hyd., 100 Psig. (6.9 bar g) Air

Our Works' Test Certificate is furnished with every supply.

Application

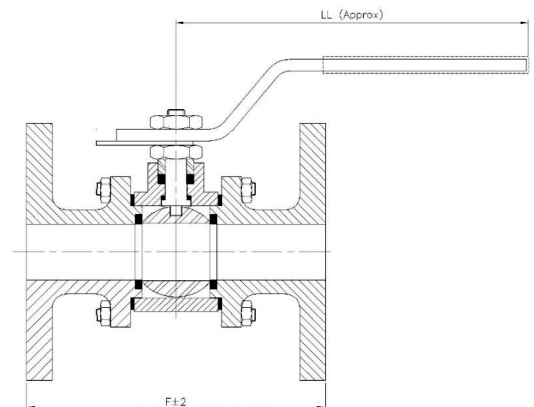
Water	Oil	Gas
-------	-----	-----

Materials of Construction

Components	Materials	Specifications
Body	Cast Iron	IS:210 Gr.FG220
Ball	Stainless Steel	AISI-304
Stem	Stainless Steel	AISI-410
Body Seats & Gland Seals	Teflon	—
Stopper, Gland Nut, Handle & Fasteners	Mild Steel	IS:2062:1992
Hand Sleeve	PVC	—
Gasket	Compressed Asbestos Fibre	—

Dimensions (in mm)

Nominal Size	Nominal Size (Inches)	F	LL (Approx.)
15	1/2	130±2	135
20	3/4	130±2	160
25	1	140±2	170
32	1 1/4	165±2	205
40	1 1/2	165±2	205
50	2	203±2	205
65	2 1/2	222±2	250
80	3	241±2	380
100	4	305±2	380



Notes

1. Product images are for illustration purposes only. Actual product may vary.