

IBR-4A Bronze Vertical Lift Check Valve Screwed Ends (IBR Approved)

Product Description

HSN 84813000

Product : 'SANT' Bronze Vertical Non Return Valve
 Type of Pattern : Vertical Type
 Body Material cum Standard : Bronze IBR 282(a)(iv) Gr.B
 Description : Two piece design
 Type of Seat : Renewable Seat
 Type of Disc : Renewable Disc
 Trim : SS AISI-410
 End Details : Screwed female BSP Taper threads to BS 21



Testing & Certification

Body Test Pressure : 500 Psig. Hyd.
 Seat Test Pressure : 500 Psig. Hyd. & 250 Psig. Steam
 Working Pressure : Max.BOP 250 Psig.(17.58Kg/cm²)
 Maximum Working Temperature: 225°C (435°F)

Test Certificate in Form III-C as per IBR is furnished with every supply.

Application

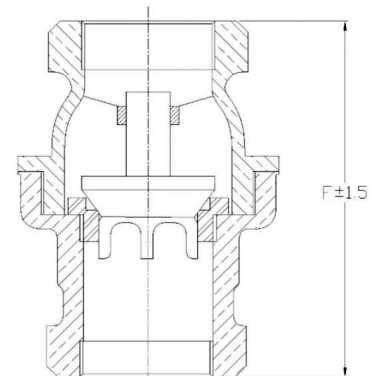
Water	Oil	Steam
-------	-----	-------

Materials of Construction

Components	Materials	Specifications
Body	Bronze	IBR 282(a)(iv) Gr.B
Body Seat Ring & Valve Disc	Stainless Steel	AISI-410

Dimensions (in mm)

Nominal Size	Nominal Size (Inches)	F
15	1/2	73±1.5
20	3/4	76±1.5
25	1	90±1.5
32	1.1/4	114±1.5
40	1.1/2	127±1.5
50	2	146±1.5



Notes

- Product images are for illustration purposes only. Actual product may vary.
- Actual dimensions may change over time, due to continual design improvements. Please confirm before placing order.