

SBM-16 Bronze Union Bonnet Horizontal Lift Check Valve Union Cover, Screwed

Product Description

HSN 84813000

Product : 'SBM' Bronze Union Bonnet Horizontal Lift Check Valve
 Product Standard : Conforming to IS:778 Class 2
 Pressure/Class/Rating : PN 25
 Body Material cum Standard : GM (IS:318 Gr.LTB2)
 Description : Screwed on cover
 Type of Seat : Renewable seat
 Type of Disc : Renewable disc
 Trim : SS AISI410
 End Details : Screwed Female BSP Threads Parallel to BS 21



Testing & Certification

Body Test Pressure : 42Kg/cm²g Hyd. (600Psig. Hyd.)
 Seat Test Pressure : 25Kg/cm²g Hyd. (355Psig. Hyd.)

Our Works' Test Certificate is furnished with every supply.

Application

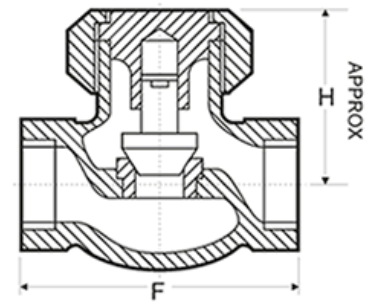
Water	Oil	Steam
-------	-----	-------

Materials of Construction

Components	Materials	Specifications
Body, Bonnet, Union Nut	Leaded Tin Bronze	IS:318 Gr.LTB2
Body Seat Ring, Valve Disc	Stainless Steel	AISI410

Dimensions (in mm)

Nominal Size	Nominal Size (Inches)	F	H
15	1/2	70	45
20	3/4	85	51
25	1	100	60
32	1.1/4	115	70
40	1.1/2	125	80
50	2	150	90
65	2.1/2	180	100
80	3	200	120
100	4	250	145



Notes

1. Product images are for illustration purposes only. Actual product may vary.
2. Actual dimensions may change over time, due to continual design improvements. Please confirm before placing order.