

SBM-14 Bronze Union Bonnet Globe Valve Screwed

Product Description

HSN 84818030

Product : 'SBM' Bronze Union Bonnet Globe Valve
 Product Standard : Conforming to IS:778 Class 2
 Pressure/Class/Rating : PN 25
 Body Material cum Standard : GM (IS:318 Gr.LTB2)
 Description : Screwed on Bonnet, Inside Screw, Rising Stem
 Type of Seat : Renewable seat
 Type of Disc : Renewable disc
 Trim : SS AISI410
 Gland Packing : Expanded Pure Flexible Graphite
 End Details : Screwed Female BSP threads to BS:21



Testing & Certification

Body Test Pressure : 42Kg/cm²g Hyd. (600Psig. Hyd.)
 Seat Test Pressure : 25Kg/cm²g Hyd. (355Psig. Hyd.)

Our Works' Test Certificate is furnished with every supply.

Application

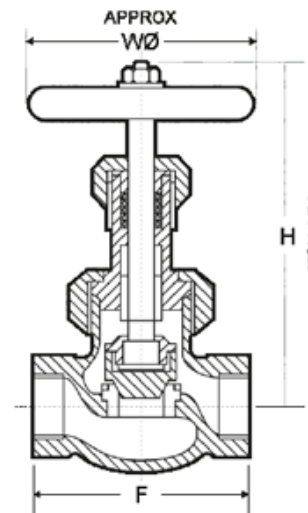
Water	Oil	Steam

Materials of Construction

Components	Materials	Specifications
Body, Bonnet, Union Nut, Gland, Gland Nut & Check Nut	Leaded Tin Bronze	IS:318 Gr.LTB2
Body Seat Ring, Valve Disc & Spindle	Stainless Steel	AISI410
Handwheel	Cast Iron	IS:210 Gr.FG200
Gland Packing	Expanded Pure Flexible Graphite	—
Nut & Washer for Handwheel	Mild Steel	—

Dimensions (in mm)

Nominal Size	Nominal Size (Inches)	F	H	W
8	1/4	55	110	60
10	3/8	60	110	70
15	1/2	70	120	70
20	3/4	85	130	70
25	1	100	145	95
32	1.1/4	115	160	105
40	1.1/2	125	185	125
50	2	150	210	145
65	2.1/2	180	250	145
80	3	200	275	170
100	4	250	290	200



Notes

- Product images are for illustration purposes only. Actual product may vary.
- Actual dimensions may change over time, due to continual design improvements. Please confirm before placing order.