

IBR-8 Bronze Pressure Gauge Valve (IBR Approved)

Product Description

HSN 84812000

Product : 'SANT' Bronze Pressure Gauge Valve
Body Material cum Standard : Bronze IBR 282(a)(iv) Gr.B
Type of Seat : Plug type
End Details : Screwed female BSP Parallel threads to BS 21.

Testing & Certification

Hydraulic Test Pressure : 500 Psig.Hyd.
Working Pressure : Max.BOP 250 Psig.(17.58Kg/cm²)
Maximum Working Temperature: 225°C (435°F)

Test Certificate in Form III-C as per IBR is furnished with every supply.



Application

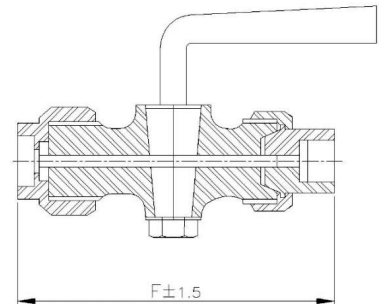
Water	Steam
-------	-------

Materials of Construction

Components	Materials	Specifications
Body, Plug, Coupling Nut, Tail Pipe & Washer	Bronze	IBR 282(a)(iv) Gr.B
Nut	Forged Brass	IS:6912 FLB

Dimensions (in mm)

Nominal Size	Nominal Size (Inches)	F
10	3/8	140±1.5
15	1/2	140±1.5



Notes

- Product images are for illustration purposes only. Actual product may vary.
- Actual dimensions may change over time, due to continual design improvements. Please confirm before placing order.