

ECOLINE DPCV-S Dual Plate Check Valves

Applications

- Oil & Gas processing units
- Refineries
- LNG and Chemical storages
- Wellhead injection line & Oil rigs
- Sea water



Class -150/300/600
Size - 2" to 48"

Product Features

- Streamlined flow
- Hindrance in flow would be less.
- No water hammer effect with this valve
- Valve can be mount in horizontally / Vertically
(flow tending to open the disc)
- Disc seating by means of spring action.
- Less weight Compared to conventional check valve.
- Prevent backflow. Valve close before the fluid reverse flow

Standards

Design	API 6D & API 594
Face to Face	API 6D & API 594
Pressure and Temperature Rating	ASME B16.34
End Flange Drilling	ASME B16.5
Inspection and Testing	API 6D & API 594

Operating Data

Characteristic	Value	
Nominal Pressure	CL 150,300,600	
Nominal Size (Inch)	2" to 48"	
Nominal Size	DN50 to DN1200	
	Metal Seat	Soft Seat
Max.Permissible Pressure (Bar)	103	103
Max.Permissible Temperature (°C)	538	150

Dimensions in mm

Size in Inch		2	3	4	6	8	10	12	14	16	18	20	24
CLASS 150	A	61	89	114	168	219	273	324	256	406	457	508	610
	C (WF)	101	133	171	219	276	336	406.4	504	511	546	603	714
	C (DF)	152	190	229	279	343	406	521	533	597	635	693	813
	B (WF.RF)	60	73	73	99	127	146	181	184	190	203	219	222
	B (DF. RF)	114	121	121	130	127	146	181	184	190	203	219	222
CLASS 300	A	61	89	114	168	219	273	324	256	406	457	508	610
	C (WF)	107	145	177	247	304	359	419	482	536	593	650	771
	C (DF)	165	210	254	318	381	444	521	584	648	711	775	914
	B (WF.RF)	60	73	73	99	127	146	181	222	232	264	292	318
	B (DF. RF)	114	121	121	130	152	178	181	222	232	264	292	318
CLASS 600	A	61	89	114	168	219	273	324	256	406	457	508	610
	C (WF)	107	145	190	263	317	396	454	488	561	609	679	787
	C (DF)	165	210	273	356	419	508	559	603	686	743	813	940
	B (WF.RF)	60	73	79	137	165	213	229	273	305	362	368	438
	B (DF. RF)	121	143	165	194	219	244	229	273	305	362	368	438

* WF - Wafer, DF - Double Flanged, RF - Raised Flange. For higher sizes, contact KSB

Data to be supplied for ordering

- Valve size
- Material
- Pressure / Temperature
- Service medium
- End connection type

Body Material

- A216 GR WCB
- A351 GR CF8
- A351 GR CF8M
- Others on request

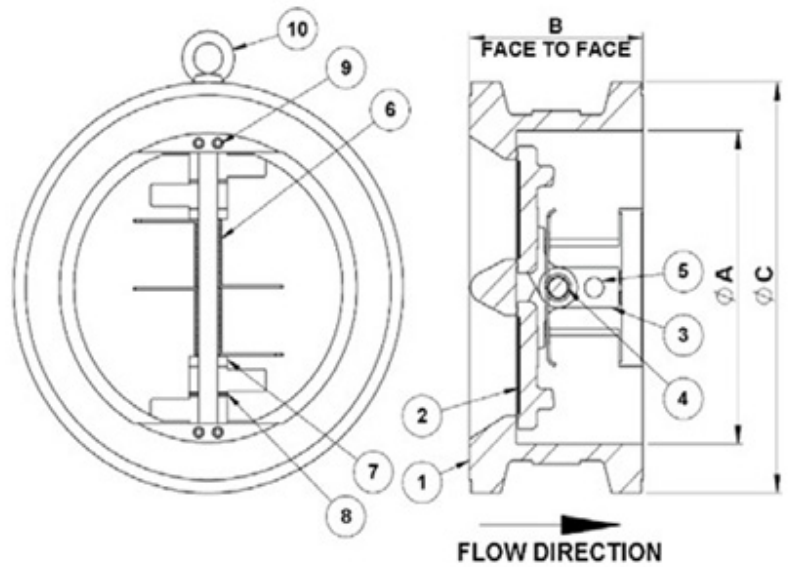
Variants

- Soft seat
- Other Trims

Soft Seat Temperature Range

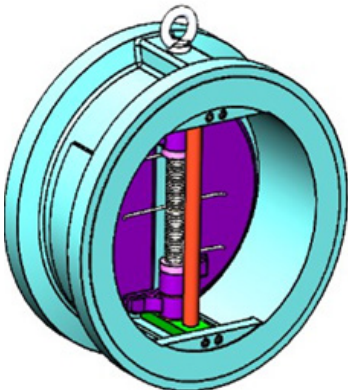
Material	Temp ° C	
	Minimum	Maximum
NBR	-20° C	+80° C
EPDM	-20° C	+120° C
VITON	-10° C	+150° C

SN	Description
1	Body
2	Disc
3	Bracket
4	Hinge pin
5	Stopper Pin
6	Spring
7	Spacer
8	Thrust Bearing
9	Set Screw
10	Lifting Eye Bolt



Materials of Construction

SN	Description	Material	
		WCB	CF8M
1	Body	ASTM A216 GR WCB	ASTM A351 GR CF8M
2	Disc	ASTM A216 GR WCB	ASTM A351 GR CF8M
3	Bracket	ASTM A276 TYPE 410	ASTM A276 TYPE 316
4	Hinge Pin	ASTM A276 TYPE 410	ASTM A276 TYPE 316
5	Stopper Pin	ASTM A276 TYPE 410	ASTM A276 TYPE 316
6	Spring	INCONEL X750	INCONEL X750
7	Spacer	ASTM A276 TYPE 410	ASTM A276 TYPE 316
8	Thrust Bearing	ASTM A276 TYPE 410	ASTM A276 TYPE 316
9	Set Screw	SS 316/304	SS 316/304
10	Lifting Eye Bolt	STEEL	STEEL



Test Specification

S No	Material	Unit	Class 150		Class 300		Class 600	
			Shell Test	Seat Test	Shell Test	Seat Test	Shell Test	Seat Test
1	WCB	BARG	30	22	77	57	154	113
2	CF3M & CF8M	BARG	29	21	75	55	149	110



INSTRUCTIONS :

- Dual Plate Check Valves must be installed with the flow direction. Assembling with wrong direction will cause non-opening if disc.
- The preferred orientation is vertical upward flow or horizontal. Installation upside-down is not recommended. If installed horizontal, pins must be vertical.
- Personnel making any adjustments on the valves should wear safety equipment normally used to work with fluid in the line where the valve is installed.
- Depressurize, drain and vent of the line, before removing the valve from the line.

KSB Limited

Manufacturing Plants :

Head Office & Pimpri :

Irrigation & Process Division
Mumbai-Pune Road, Pimpri,
Pune - 411 018.
Tel.: 020-2710 1000

Chinchwad :

Power Projects Division
D-II Block, MIDC Chinchwad,
Pune - 411 019.
Tel.: 020-2740 9100

Khandala :

Energy Pumps Division
A1, MIDC Khandala Phase II,
Village Kesurdi, Tal. Khandala,
Satara - 412 802.
Tel. : 02169 -246800

Coimbatore :

Valves Division
151, Mettupalayam Road,
NSN Palayam Post,
Coimbatore - 641 031.
Tel.: 0422-2468222, 2468547-9

Sinnar :

Standard Pumps Division
Plot No. E-3 & E-4, MIDC Sinnar,
Nashik - 422 113.
Tel.: 02551-230252 / 53, 229700

Vambori :

Foundry Division
Vambori, Ahmednagar - 413 704.
Tel.: 02426-272534, 272550, 272463

Regd. Office :

Office No. 601, Runwal R-Square,
L.B.S. Marg, Mulund (West),
Mumbai- 400 080,
Tel.: 022-6658 8787

Zonal Offices :

East :

Mani Casadona Building, East Tower,
10th Floor, 10 ES 9, IIF / 04, Street No. 372,
Action Area IIF, New Town,
Kolkata - 700156.
Tel.: 033 4810 9017 / 4810 9018

West :

Office No. 601, Runwal R-Square,
L.B.S. Marg, Mulund (West),
Mumbai- 400 080
Tel.: 022-6658 8787

North :

KSB House, A-96, Sector IV, NOIDA,
Dist. Gautam Budh Nagar - 201 301.
Tel.: 0120-2471 600 Fax : 0120-255 0567

South :

Guindy House, II Floor, # 92 Anna Salai,
Chennai - 600 032.
Tel.: 044-2235 2571-2, 2235 5673
Fax : 044-2235 2749

Service Stations :

Chennai :

6, Self-help Industrial Estate,
Keelkattalai, Near Keelkattalai -
Pallavaram Radial Road Signal junction,
Chennai 600 117
Tel. 044-22681159

Howrah :

Sadananda Industrial Estate
Howrah Amta Road, Balitikuri,
Bakultala Howrah - 711 113, West Bengal

NOIDA :

KSB House, A-96, Sector IV, NOIDA,
Dist. Gautam Budh Nagar - 201 301.
Tel.: 0120-2471 600
Fax : 0120-255 0567

Odhav :

Shed No. 22, Gujarat Vepari
Mahamandal, Odhav,
Ahmedabad - 382 410.
Tel.: 079-2290 0372
Fax : 079-2290 0749

Chinchwad :

D-II Block, MIDC Chinchwad,
Pune - 411 019.
Tel.: 020-2740 9100 Fax : 020-2747 0890

Baddi:

Plot No. 73, DIC Industrial Area, Baddi,
Distt. Solan, Himachal Pradesh -173 205
Tel. : +91 98764 12714

Branch Offices :

Bangalore :

191, 1st Floor, West of Chord Road,
II Stage, Bangalore - 560 086.
Tel.: 080-2349 1806, 2349 3925
Fax : 080-2349 6036

Baroda :

4-B, Ramkrishna Chamber,
Productivity Road, Baroda - 390 005.
Tel.: 0265-233 0532, 233 3226
Fax : 0265-235 0002

Bhubaneswar :

N5/39, 1st Floor, IRC Village, Nayapalli,
Bhubaneswar - 751 015.
Tel.: 0674-255 8497
Fax : 0674-255 8499

Chandigarh :

SCO - 189, 2nd Floor, Sector - 7C,
Chandigarh - 160 019.
Tel. / Fax : 0172-279 0072, 279 0062

Guwahati :

House No 41, Apro Colony Road,
Ulubari, Guwahati- 781007, Assam
Tel : 96744 77971, 86381 10620

Indore :

Office No 104, 1st Floor, Fortune
Ambience, 4/2 South Tukogunj
Indore - 452001
Tel.: 0731- 4216704, 4216705

Jaipur :

Anjali Chambers, 2nd Floor, Block C,
10, Rajbhawan Road, Civil Lines,
Jaipur - 302 001.
Tel.: 0141-222 4554, 222 4904
Fax : 0141-222 4904

Jamshedpur :

Flat No: 3/1, 3rd Floor, Plot No: 20,
Road No: 2, Sonari West Layout,
Jamshedpur - 831011.
Tel.: 0657-231 4012, 231 4011
Fax : 0657-231 7128

Lucknow :

309, Chintels House, 16, Station Road,
Lucknow - 226 001.
Tel.: 0522-263 5203, 263 5597
Fax : 0522-263 5597

Patna :

3rd Floor, Suraj Complex, Sahyogi Press
Lane, Exhibition Road, Patna - 800 001.
Tel.: 70336 80790

Pune :

Mumbai-Pune Road, Pimpri,
Pune - 411 018.
Tel.: 020-2710 1000 Fax : 020-2742 6000

Raipur :

1st floor, E-5, Sector-5, Devender Nagar,
Raipur, Chhattisgarh - 492009
Tel.: 0771-258 3658, 258 3921
Fax : 0771-258 3921

Secunderabad :

D. No. 12-13-197, 198,
Flat No. 103 & 104, 1st Floor,
Pavani Anusuya Towers, Tarnaka,
Secunderabad - 500 017.
Tel.: 040-2700 1724, 2700 3696
Fax : 040-2700 1725

Ernakulam (Kochi) :

Ground Floor, D/No 22/241 (S),
Tamrind Rajadhani, Pulinchode, Aluva
Ernakulam - 683 101 (India)
Tel : 62353 55500

Subject to technical modification without prior notice



KSB Limited Valves Division

151, Mettupalayam Road, NSN Palayam Post, Coimbatore - 641 031.
Tel.: 0422-2468222, 2468547-9 Email : contactusksbindia@ksb.com
www.ksbindia.co.in

Our toll free no : 1800 233 1299
(Mon - Sun. 8 am to 8 pm)