



Type SCC

Swing Check Valve
Cast Steel, Pressure seal bonnet
Butt weld ends

2" - 24" (50-600 mm)
Class 900, 1500, 2500

Design in accordance with ASME B16.34

Applications

- Power stations, general industry, process engineering
- For water, steam, gas, oil & other non-aggressive media
- Further applications on request

Operating Data

- Pressure up to 431 bar (6250 psi)
- Temperature up to +650°C/1200°F
- Minimum temperature is 0°C (less than 0°C on request)
- Pressure-temperature ratings as per ASME B 16.34, Standard class

Materials

- ASTM A 216 WCB from 0°C to 425°C
- ASTM A 217 WC6/WC9 from 0°C to 593°C
- ASTM A 217 C12A from 0°C to 650°C

Design

- As per ASME B 16.34
- Pressure Seal Bonnet Design
- Stellite hard-faced Seats & Disc surface
- Graphite gaskets

Variants on Request

- Special class execution
- Other Material of construction

Remarks :

(Type Series Booklet References)

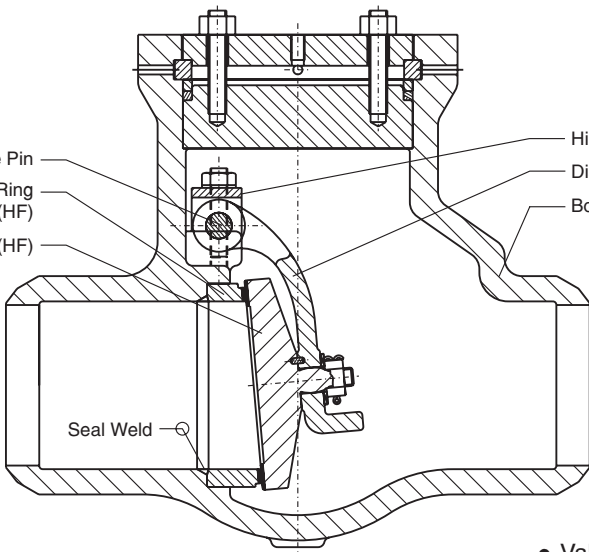
SICCA 800-2500 GTF / GLF / PCF	: 7240.1/12-11
SICCA 900-2500 GTC	: 7241.2/12-11
SICCA 900-2500 GLC	: 7242.2/12-11
SICCA 150-600 GTC	: 7244.2/12-11
SICCA 150-600 GLC	: 7245.2/12-11
SICCA 150-600 SCC	: 7246.2/12-11
Operating instructions no.	: 0500.80/05-18 G3

On all enquiries / orders please specify :

1. Type
2. ASME Pressure class
3. Size
4. Design pressure/temperature
5. Operating pressure
6. Operating temperature
7. Differential pressure
8. Material of construction
9. Flow medium
10. Flow rate Min. / Max.
11. Type of end connection
12. Pipe Schedule, ID / OD
13. Variants
14. Type Series Booklet no.
15. Valve data sheet (if applicable)

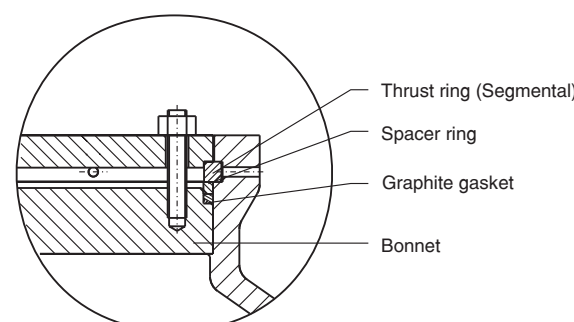
When ordering spares, indicate valve serial number.

Product features to our customer benefit



Inside Hinge Pin
Body Seat Ring St6 (HF)
Disc Seats St6 (HF)
Seal Weld
Hinge Bracket
Disc Carrier
Body

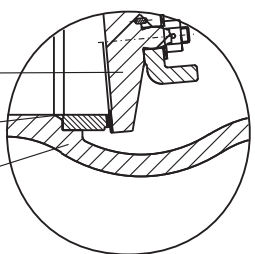
- Valves meets ASME 16.34 requirements
- Inside hinge pin mounted design - no leakage path to atmosphere
- Self aligning free floating and non-rotating disc
- Designed to open at low differential pressures



Thrust ring (Segmental)
Spacer ring
Graphite gasket
Bonnet

Pressure seal

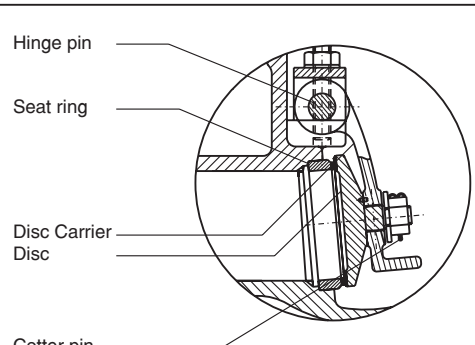
- Die-moulded graphite gasket
- Segmental ring arrangement with knock out holes provides for easy disassembly



Disc
Seal weld
Body

Flow Seal

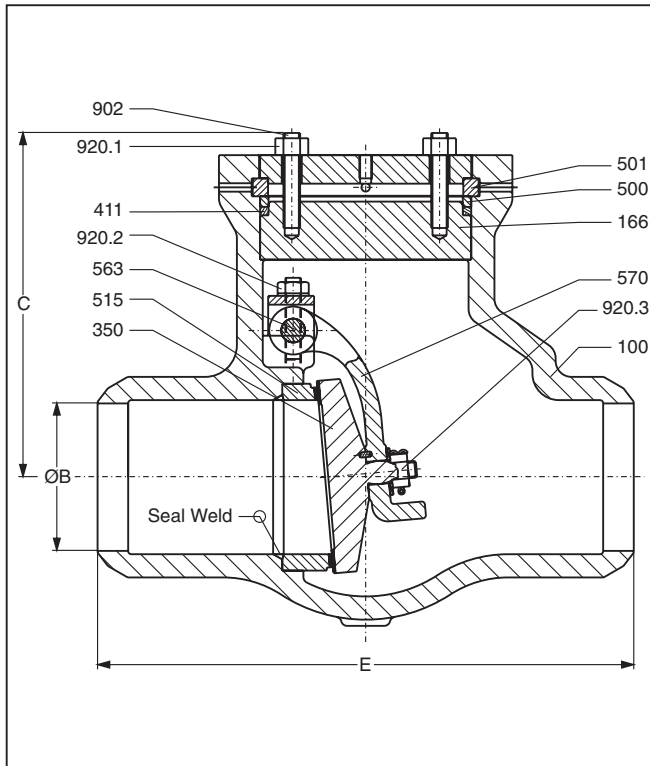
- Fully stellited, body & Disc seat
- Seat rings - seal welded to body
- Lapped Seat & Disc faces for leak tightness



Hinge pin
Seat ring
Disc Carrier
Disc
Cotter pin

Disc Design

- Self aligning disc ensures perfect seating
- Designed to open at low differential pressure



Design Specifications

General valve design & pressure, temperature rating : ASME B 16.34
 Butt weld end design : ASME B 16.25
 End to end dimension : ASME B 16.10
 Testing : API 598

Dimensions in mm

Class 900

	2"	3"	4"	6"	8"	10"	12"
E	215.9	304.8	355.6	508.0	660.4	787.4	914.4
ØB*	49.2	73.5	92.0	140.0	182.5	230.0	273.0
C_(max)	180.0	240.0	290.0	320.0	375.0	440.0	500.0

* Schedule 80 up to 3". Schedule 120 for 4" and above.
 Alternate schedule on request.

Class 1500

	2"	3"	4"	6"	8"	10"	12"	14"	16"
E	215.9	304.8	406.4	558.8	711.2	863.6	990.6	1066.8	1194.0
ØB*	43.0	66.5	87.5	132.0	173.0	216.0	257.0	284.0	325.5
C_(max)	230.0	270.0	315.0	400.0	440.0	475.0	630.0	700.0	770.0

* Schedule 160. Alternate schedule on request.

Class 2500

	2"	3"	4"	6"	8"	10"	12"
E	279.4	368.3	457.2	609.4	762.0	914.4	1041.4
ØB*	38.0	58.5	80.0	124.5	173.0	216.0	257.0
C_(max)	225.0	270.0	315.0	390.0	425.0	500.0	630.0

* Schedule XXS up to 6". Schedule 160 for 8" and above.
 Alternate schedule on request.

For details of higher size valves refer to P & A Coimbatore

Materials

Part No.	Description	Material			
100	Body	A 216-WCB	A 217-WC9	A 217-WC6	A217-C12A
166	Bonnet	A 216-WCB	A 217-WC9	A 217-WC6	A217-C12A+ST6
350	Disc	A 216-WCB+ST6	A 217-WC9+ST6	A 217-WC9+ST6	A182-F91+ST6 / A217-C12A+ST6
411	Gasket	Graphite	Graphite	Graphite	Graphite
500	Spacer Ring	A 217-CA15/A 182-F22	A 217-CA15/A 182-F22	A 217-CA15/A 182-F22	A217-CA15/A182-F22
501	Trust Ring	A 182-F22/A 217-WC9	A 182-F22/A 217-WC9	A 182-F22/ A 217-WC9	A182-F22
515	Seat Ring	A 105+ST6	A 182-F22+ST6	A 182-F22+ST6	A217-C12A / A182-F91+ST6
563	Hinge Pin	A 479 410 - 2	A 479 410 - 2	A 479 410 - 2	A 479 410 - 2
570	Disc Carrier	A 216-WCB	A 217-WC9	A 217-WC9	A217-C12A
902	Stud	A 193-B7	A 193-B16	A 193-B16	A193-B16
920.1/2/3	Hex. Nut	A 194-2H	A 194-4 / 7	A 194-4 / 7	A194-4/7

Testing

Test / Test pressure	#900		#1500		#2500		Testing medium
	kg/cm ²	psi	kg/cm ²	psi	kg/cm ²	psi	
Shell	238	3375	396	5625	660	9375	Water
Seat	174	2475	291	4125	484	6875	

Pressure Temperature Rating - Standard Class
Rating for Group 1.1 Material : A 216 Gr. WCB ⁽¹⁾

Temperature		# 900		# 1500		# 2500	
°F	°C	PSI	Kg/cm ²	PSI	Kg/cm ²	PSI	Kg/cm ²
-20 to 100	-29 to 38	2220.0	156.1	3705.0	260.5	6170.0	433.8
200	93.3	2035.0	143.1	3395.0	238.7	5655.0	397.6
300	148.9	1965.0	138.2	3270.0	229.9	5450.0	383.2
400	204.4	1900.0	133.6	3170.0	222.9	5280.0	371.2
500	260.0	1810.0	127.3	3015.0	212.0	5025.0	353.3
600	315.6	1705.0	119.9	2840.0	199.7	4730.0	332.6
650	343.3	1650.0	116.0	2745.0	193.0	4575.0	321.7
700	371.1	1590.0	111.8	2665.0	187.4	4425.0	311.1
750	398.9	1520.0	106.9	2535.0	178.2	4230.0	297.4
800	426.7	1235.0	86.8	2055.0	144.5	3430.0	241.2
850	454.4	955.0	67.1	1595.0	112.1	2655.0	186.7
900	482.2	690.0	48.5	1150.0	80.9	1915.0	134.6
950	510.0	410.0	28.8	685.0	48.2	1145.0	80.5
1000	537.8	255.0	17.9	430.0	30.2	715.0	50.3

1) Permissible, but not recommended for prolonged use above 800°F

Rating for Group 1.9 Material : A 217 Gr. WC6 ⁽¹⁾⁽²⁾

Temperature		# 900		# 1500		# 2500	
°F	°C	PSI	Kg/cm ²	PSI	Kg/cm ²	PSI	Kg/cm ²
-20 to 100	-29 to 38	2250.0	158.2	3750.0	263.7	6250.0	439.4
200	93.3	2250.0	158.2	3750.0	263.7	6250.0	439.4
300	148.9	2165.0	152.2	3610.0	253.8	6015.0	422.9
400	204.4	2080.0	146.2	3465.0	243.6	5775.0	406.0
500	260.0	1995.0	140.3	3325.0	233.8	5540.0	389.5
600	315.6	1815.0	127.6	3025.0	212.7	5040.0	354.3
650	343.3	1765.0	124.1	2940.0	206.7	4905.0	344.9
700	371.1	1705.0	119.9	2840.0	199.7	4730.0	332.6
750	398.9	1595.0	112.1	2660.0	187.0	4430.0	311.5
800	426.7	1525.0	107.2	2540.0	178.6	4230.0	297.4
850	454.4	1460.0	102.6	2435.0	171.2	4060.0	285.4
900	482.2	1350.0	94.9	2245.0	157.8	3745.0	263.3
950	510.0	955.0	67.1	1595.0	112.1	2655.0	186.7
1000	537.8	650.0	45.7	1080.0	75.9	1800.0	126.6
1050	565.6	430.0	30.2	720.0	50.6	1200.0	84.4
1100	593.3	290.0	20.4	480.0	33.7	800.0	56.2
1150	621.1	195.0	13.7	325.0	22.8	545.0	38.3
1200	648.9	125.0	8.8	205.0	14.4	345.0	24.3

1) Use Normalised and tempered material only.

2) Not to be used over 1100°F

Rating for Group 1.10 Material : A 217 Gr. WC9 ⁽¹⁾⁽²⁾

Temperature		# 900		# 1500		# 2500	
°F	°C	PSI	Kg/cm ²	PSI	Kg/cm ²	PSI	Kg/cm ²
-20 to 100	-29 to 38	2250.0	158.2	3750.0	263.7	6250.0	439.4
200	93.3	2250.0	158.2	3750.0	263.7	6250.0	439.4
300	148.9	2185.0	153.6	3640.0	255.9	6070.0	426.8
400	204.4	2115.0	148.7	3530.0	248.2	5880.0	413.4
500	260.0	1995.0	140.3	3325.0	233.8	5540.0	389.5
600	315.6	1815.0	127.6	3025.0	212.7	5040.0	354.3
650	343.3	1765.0	124.1	2940.0	206.7	4905.0	344.9
700	371.1	1705.0	119.9	2840.0	199.7	4730.0	332.6
750	398.9	1595.0	112.1	2660.0	187.0	4430.0	311.5
800	426.7	1525.0	107.2	2540.0	178.6	4230.0	297.4
850	454.4	1460.0	102.6	2435.0	171.2	4060.0	285.4
900	482.2	1350.0	94.9	2245.0	157.8	3745.0	263.3
950	510.0	1160.0	81.6	1930.0	135.7	3220.0	226.4
1000	537.8	800.0	56.2	1335.0	93.9	2230.0	156.8
1050	565.6	525.0	36.9	875.0	61.5	1454.0	102.2
1100	593.3	330.0	23.2	550.0	38.7	915.0	64.3
1150	621.1	205.0	14.4	345.0	24.3	570.0	40.1
1200	648.9	125.0	8.8	205.0	14.4	345.0	24.3

1) Use Normalised and tempered material only.

2) Not to be used over 1100°F

Rating for Group 1.15 Material : A 217 Gr. C12A

Temperature		# 900		# 1500		# 2500	
°F	°C	PSI	Kg/cm ²	PSI	Kg/cm ²	PSI	Kg/cm ²
-20 to 100	-29 to 38	2250.0	158.2	3750.0	263.7	6250.0	439.4
200	93.3	2250.0	158.2	3750.0	263.7	6250.0	439.4
300	148.9	2185.0	153.6	3640.0	255.9	6070.0	426.8
400	204.4	2115.0	148.7	3530.0	248.2	5880.0	413.4
500	260.0	1995.0	140.3	3325.0	233.8	5540.0	389.5
600	315.6	1815.0	127.6	3025.0	212.7	5040.0	354.3
650	343.3	1765.0	124.1	2940.0	206.7	4905.0	344.9
700	371.1	1705.0	119.9	2840.0	199.7	4730.0	332.6
750	398.9	1595.0	112.1	2660.0	187.0	4430.0	311.5
800	426.7	1525.0	107.2	2540.0	178.6	4230.0	297.4
850	454.4	1460.0	102.6	2435.0	171.2	4060.0	285.4
900	482.2	1350.0	94.9	2245.0	157.8	3745.0	263.3
950	510.0	1160.0	81.6	1930.0	135.7	3220.0	226.4
1000	537.8	1090.0	76.6	1820.0	128.0	3030.0	213.0
1050	565.6	1080.0	75.9	1800.0	126.6	3000.0	210.9
1100	593.3	905.0	63.6	1510.0	106.2	2515.0	176.8
1150	621.1	670.0	47.1	1115.0	78.4	1855.0	130.4
1200	648.9	430.0	30.2	720.0	50.6	1200.0	84.4

Pressure Temperature Rating - Special Class

Rating for Group 1.1 Material : A 216 Gr. WCB ⁽¹⁾

Temperature		# 900		# 1500		# 2500	
°F	°C	PSI	Kg/cm ²	PSI	Kg/cm ²	PSI	Kg/cm ²
-20 to 100	-29 to 38	2250.0	158.2	3750.0	263.7	6250.0	439.4
200	93.3	2250.0	158.2	3750.0	263.7	6250.0	439.4
300	148.9	2220.0	156.1	3700.0	260.1	6170.0	439.4
400	204.4	2200.0	154.7	3665.0	257.7	6105.0	429.2
500	260.0	2200.0	154.7	3665.0	257.7	6105.0	429.2
600	315.6	2200.0	154.7	3665.0	257.7	6105.0	429.2
650	343.3	2145.0	150.8	3575.0	251.3	5960.0	419.0
700	371.1	2075.0	145.9	3455.0	242.9	5760.0	405.0
750	398.9	1905.0	133.9	3170.0	222.9	5285.0	371.6
800	426.7	1545.0	108.6	2570.0	180.7	4285.0	301.3
850	454.4	1195.0	84.0	1995.0	140.3	3320.0	233.4
900	482.2	860.0	60.5	1435.0	100.9	2395.0	168.4
950	510.0	515.0	36.2	855.0	60.1	1430.0	100.5
1000	537.8	320.0	22.5	535.0	37.6	895.0	62.9

1) Permissible, but not recommended for prolonged use above 800°F

Rating for Group 1.9 Material : A 217 Gr. WC6 ⁽¹⁾⁽²⁾

Temperature		# 900		# 1500		# 2500	
°F	°C	PSI	Kg/cm ²	PSI	Kg/cm ²	PSI	Kg/cm ²
-20 to 100	-29 to 38	2250.0	158.2	3750.0	263.7	6250.0	439.4
200	93.3	2250.0	158.2	3750.0	263.7	6250.0	439.4
300	148.9	2250.0	158.2	3750.0	263.7	6250.0	439.4
400	204.4	2250.0	158.2	3750.0	263.7	6250.0	439.4
500	260.0	2250.0	158.2	3750.0	263.7	6250.0	439.4
600	315.6	2250.0	158.2	3750.0	263.7	6250.0	439.4
650	343.3	2250.0	158.2	3750.0	263.7	6250.0	439.4
700	371.1	2200.0	154.7	3665.0	257.7	6110.0	429.6
750	398.9	2185.0	153.6	3645.0	256.3	6070.0	426.8
800	426.7	2160.0	151.9	3600.0	253.1	6000.0	421.8
850	454.4	2030.0	142.7	3385.0	238.0	5645.0	396.9
900	482.2	1760.0	123.7	2935.0	206.4	4895.0	344.2
950	510.0	1195.0	84.0	1995.0	140.3	3320.0	233.4
1000	537.8	810.0	56.9	1350.0	94.9	2250.0	158.2
1050	565.6	540.0	38.0	900.0	63.3	1500.0	105.5
1100	593.3	360.0	25.3	600.0	42.2	1000.0	70.3
1150	621.1	245.0	17.2	405.0	28.5	680.0	47.8
1200	648.9	155.0	10.9	255.0	17.9	430.0	30.2

1) Use Normalised and tempered material only.

2) Not to be used over 1100°F

Rating for Group 1.10 Material : A 217 Gr. WC9 ⁽¹⁾⁽²⁾

Temperature		# 900		# 1500		# 2500	
°F	°C	PSI	Kg/cm ²	PSI	Kg/cm ²	PSI	Kg/cm ²
-20 to 100	-29 to 38	2250.0	158.2	3750.0	263.7	6250.0	439.4
200	93.3	2250.0	158.2	3750.0	263.7	6250.0	439.4
300	148.9	2220.0	156.1	3695.0	259.8	6160.0	433.1
400	204.4	2185.0	153.6	3640.0	255.9	6065.0	426.4
500	260.0	2175.0	152.9	3620.0	254.5	6035.0	424.3
600	315.6	2165.0	152.2	3605.0	253.5	6010.0	422.5
650	343.3	2145.0	150.8	3580.0	251.7	5965.0	419.4
700	371.1	2120.0	149.1	3535.0	248.5	5895.0	414.5
750	398.9	2120.0	149.1	3535.0	248.5	5895.0	414.5
800	426.7	2120.0	149.1	3535.0	248.5	5895.0	414.5
850	454.4	2030.0	142.7	3385.0	238.0	5645.0	396.9
900	482.2	1800.0	126.6	3000.0	210.9	5000.0	351.5
950	510.0	1415.0	99.5	2360.0	165.9	3930.0	276.3
1000	537.8	1005.0	70.7	1670.0	117.4	2785.0	195.8
1050	565.6	655.0	46.1	1095.0	77.0	1820.0	128.0
1100	593.3	410.0	28.8	685.0	48.2	1145.0	80.5
1150	621.1	255.0	17.9	430.0	30.2	715.0	50.3
1200	648.9	155.0	10.9	255.0	17.9	430.0	30.2

1) Use Normalised and tempered material only.

2) Not to be used over 1100°F

Rating for Group 1.15 Material : A 217 Gr. C12A

Temperature		# 900		# 1500		# 2500	
°F	°C	PSI	Kg/cm ²	PSI	Kg/cm ²	PSI	Kg/cm ²
-20 to 100	-29 to 38	2250.0	158.2	3750.0	263.7	6250.0	439.4
200	93.3	2250.0	158.2	3750.0	263.7	6250.0	439.4
300	148.9	2250.0	158.2	3750.0	263.7	6250.0	439.4
400	204.4	2250.0	158.2	3750.0	263.7	6250.0	439.4
500	260.0	2250.0	158.2	3750.0	263.7	6250.0	439.4
600	315.6	2250.0	158.2	3750.0	263.7	6250.0	439.4
650	343.3	2250.0	158.2	3750.0	263.7	6250.0	439.4
700	371.1	2200.0	154.7	3665.0	257.7	6110.0	429.6
750	398.9	2185.0	153.6	3645.0	256.3	6070.0	426.8
800	426.7	2160.0	151.9	3600.0	253.1	6000.0	421.8
850	454.4	2030.0	142.7	3385.0	238.0	5645.0	396.9
900	482.2	1800.0	126.6	3000.0	210.9	5000.0	351.5
950	510.0	1415.0	99.5	2360.0	165.9	3930.0	276.3
1000	537.8	1260.0	88.6	2105.0	148.0	3505.0	246.4
1050	565.6	1260.0	88.6	2105.0	148.0	3505.0	246.4
1100	593.3	1130.0	79.4	1885.0	132.5	3145.0	221.1
1150	621.1	835.0	58.7	1395.0	98.1	2320.0	163.1
1200	648.9	540.0	38.0	900.0	63.3	1500.0	105.5

KSB Pumps and Valves - We are where you are

Manufacturing Plants :

Head Office & Pimpri :

Irrigation & Process Division
Mumbai-Pune Road, Pimpri,
Pune - 411 018.
Tel.: 020-2710 1000 Fax : 020-2742 6000

Chinchwad :

Power Projects Division
D-II Block, MIDC Chinchwad,
Pune - 411 019.
Tel.: 020-2740 9100 Fax : 020-2747 0890

Coimbatore :

Valves Division
151, Mettupalayam Road,
NSN Palayam Post,
Coimbatore - 641 031.
Tel.: 0422-246 8222, 246 8547-9
Fax : 0422-246 8232

Sinnar :

Water Pumps Division
Plot No. E-3 & E-4, MIDC Sinnar,
Nashik - 422 113.
Tel.: 02551-230252 / 53 / 55
Fax : 02551-230254

Vambori :

Foundry Division
Vambori, Ahmednagar - 413 704.
Tel.: 02426-272534, 272528, 272074
Fax : 02426-272043

Regd. Office :

126, Maker Chambers III, Nariman Point,
Mumbai - 400 021.
Tel.: 022-6658 8787 Fax : 022-6658 8788

Zonal Offices :

East :

30, Circus Avenue, 2nd Floor,
Kolkata - 700 017.
Tel.: 033-2287 0473, 2290 0117
Fax : 033-2287 0588

West :

126, Maker Chambers III, Nariman Point,
Mumbai - 400 021.
Tel.: 022-6658 8787 Fax : 022-6658 8788

North :

KSB House, A-96, Sector IV, NOIDA,
Dist. Gautam Budh Nagar - 201 301.
Tel.: 0120-254 1091-93, 254 1501-3
Fax : 0120-255 0567

South :

Guindy House, II Floor, 95, Anna Salai,
Chennai - 600 032.
Tel.: 044-2235 2571-2, 2235 5673
Fax : 044-2235 2749

Service Stations :

Chennai :

No. 4, (Old No. 18), Chakrapani Road,
Guindy, Chennai - 600 032.
Tel.: 044-2255 0704

Howrah :

142/1, Foreshore Rd., Ramkrishtipur,
Howrah - 711 101.
Tel.: 033-2638 2909 Fax : 033-2638 1547

NOIDA :

KSB House, A-96, Sector IV, NOIDA,
Dist. Gautam Budh Nagar - 201 301.
Tel.: 0120-254 1091-93, 254 1501-3
Fax : 0120-255 0567

Odhav :

Shed No. 22, Gujrat Vepari
Mahamandal, Odhav,
Ahmedabad - 382 410.
Tel.: 079-2290 0372

Branch Offices :

Ahmedabad :

205, Simandhar Avenue, 2nd Floor,
8, Kailash Society, Opp. Nature View
Building, Near H. K. House, Ashram Rd.,
Ahmedabad - 380 009.
Tel.: 079-2657 9610 / 11
Fax : 079-2657 9612

Aurangabad :

Plot No. P 204, Shivshankar Colony,
Near Bembde Hospital,
Aurangabad - 431 005.
Tel.: 0240-235 1440, 234 2447
Fax : 0240-235 1440

Bangalore :

191, 1st Floor, West of Chord Road,
2nd Stage, Bangalore 560 086.
Tel.: 080-2349 1806, 2349 3925
Fax : 080-2349 6036

Baroda :

4-B, Ramkrishna Chamber,
Productivity Road, Baroda - 390 005.
Tel.: 0265-233 0532, 233 3226
Fax : 0265-235 0002

Bhubaneswar :

N5/39, 1st Floor, IRC Village, Nayapalli,
Bhubaneswar - 751 013.
Tel.: 0674-255 8497, 255 3061
Fax : 0674-255 8499

Chandigarh :

S.C.O. 71, 2nd Floor, Sector 30-C,
Chandigarh - 160 030.
Tel.: 0172-265 2121, 264 0771
Fax : 0172-264 0171

Hubli :

Plot No. 25, Vaikunte Layout,
Near Nehru Nagar Circle,
Hubli - 580 030.
Tel.: 0836-223 2244 Fax : 0836-225 6579

Indore :

B-14, Ratlam Kothi, Indore - 452 001.
Tel.: 0731-252 9478, 252 9704
Fax : 0731-252 9704

Jaipur :

Anjali Chambers, 2nd Floor, Block C,
10, Rajbhawan Road, Civil Lines,
Jaipur - 302 001.
Tel.: 0141-222 4554, 222 4904
Fax : 0141-222 4904

Jamshedpur :

UG-4, Gangotri House, 'Q' Road,
Bistupur, Jamshedpur - 831 001.
Tel.: 0657-231 7129, 231 7130
Fax : 0657-231 7128

Lucknow :

309, Chintels House, 16, Station Road,
Lucknow - 226 001.
Tel.: 0522-263 5203, 263 5597
Fax : 0522-263 5597

Mumbai :

126, Maker Chambers III, Nariman Point,
Mumbai - 400 021.
Tel.: 022-6658 8787 Fax : 022-6658 8788

Nagpur :

203, Suryakiran Complex, Bajaj Nagar,
Nagpur - 440 010.
Tel.: 0712-223 6889, 222 9148
Fax : 0712-224 4184 (P.P.)

Pune :

1st Floor, Shree Gurukrupka se Unnati,
C. T. S. No. 109/15, F. P. No. 54,
Prabhat Road Lane no. 14, Thorat Colony,
Income Tax Office Lane,
Pune - 411 004.
Tel.: 020-2543 1258 / 59 / 60
Fax : 020-2543 1262

Raipur :

House No. C/40, 1st Floor, Sector - 2,
Devendra Nagar, Raipur.
Tel.: 0771-406 2556, 258 3921
Fax : 0771-258 3921

Secunderabad :

D. No. 12-13-197, 198,
Flat No. 103 & 104, 1st Floor,
Pavani Anusuya Towers, Tarnaka,
Secunderabad - 500 017.
Tel.: 040-2700 1724, 2700 3696
Fax : 040-2700 1725



KSB Pumps Limited

151, Mettupalayam Road, NSN Palayam Post, Coimbatore 641 031, India.
Tel. : +91 422 2468222 Fax : +91 422 2468232 e-mail : cbepsindustry@ksb.co.in, cbepsenergy@ksb.co.in www.ksb.co.in