

ECOLINE

STEAM TRAPS

Inverted Bucket Steam Traps
Ball Float Steam Traps
Thermodynamic Steam Traps



ECOLINE SIB-S

Inverted Bucket Steam Traps

Size : 1/2" - 2"
MOC : CI / CS
Design : Manufacturer Std



Applications

- Heating Coils
- Hot water Heaters
- Steam Separators
- Dryers
- Dehumidifiers
- Heat Exchangers
- Heater Drip Line
- High Pressure Applications

Maximum Allowable Pressure

Cast Iron : 17.5 Bar @260°C
Cast Steel : 42 Bar @425°C

Maximum Allowable Temperature

Cast Iron : 260°C
Cast Steel : 425°C

End Connection

Screwed (NPT/BSP)
Socket Weld (For CS)

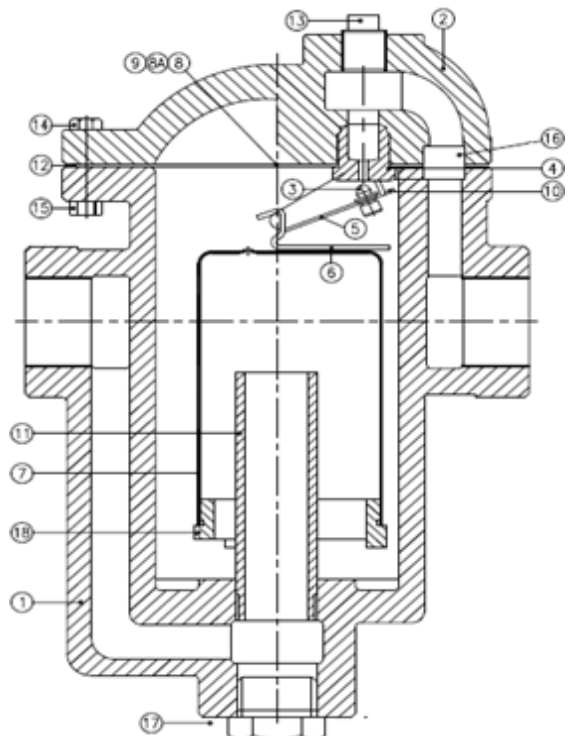
Construction

- Horizontal Type
- Vertical type – On request

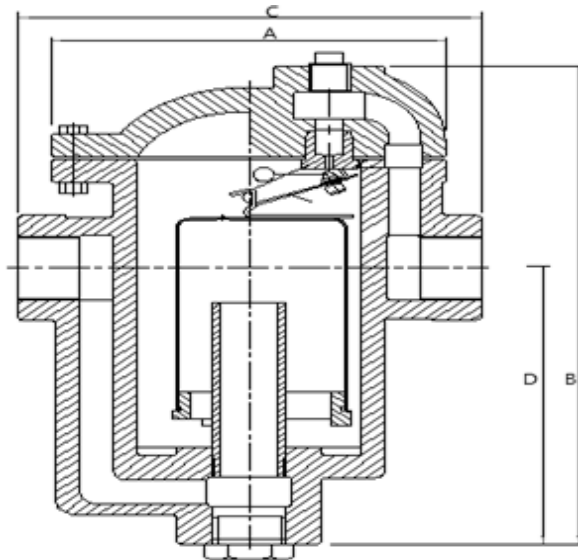
ECOLINE SIB-S CI :

Bill of Materials :

S. No	Description	Material
1	Body	C.I ASTM A48 Class 30
2	Cover	C.I ASTM A48 Class 30
3	Valve	AISI 440B/C
4	Valve Seat	AISI 440B/C
5	Lever	S.S 304 Sheet
6	Bucket Clip	S.S 304 Sheet
7	Bucket	S.S 304 Sheet
8	Guide pin plate	S.S 304 Sheet
8A	Guide pins	S.S 304
9	Screw for Guide Pin Plate	S.S 304
10	Valve Clip	S.S 304 Sheet
11	Internal Tube	C.I
12	Gasket	Non ASB
13	Cover Plug	Steel
14	Bolt	SAE Gr 2
15	Nut	SAE Gr 2
16	Thimble	S.S 304
17	Body Plug	Steel
18	Bucket Weight	C.I ASTM A48 Class 30



Dimension Table

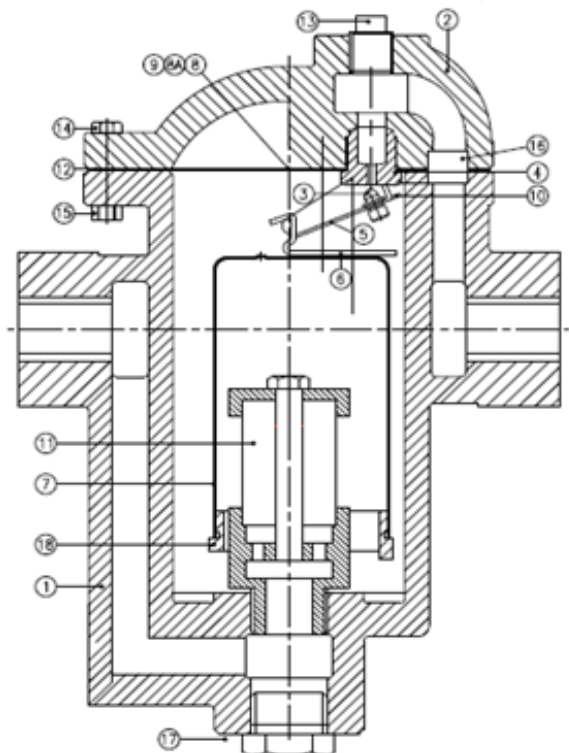


Size		A		B		C		D		Weight	
in	mm	in	mm	in	mm	in	mm	in	mm	lbs	kg
1/2	15	3-3/4	95	6	153	5-1/16	128	3-1/4	82	7	3
3/4	20	3-3/4	95	7-1/8	181	5-1/16	128	4-5/16	110	8	3
1	25	5-5/8	143	9	228	6-7/8	174	5-3/16	132	17	8
1.1/4	32	7	178	12-3/8	314	8-5/16	211	7-5/32	182	35	16
1.1/2	40	8	203	13-3/4	349	9-1/8	232	7-7/8	200	48	22
2	50	9	229	16-1/4	413	10-3/16	258	8-3/8	213	75	34

ECOLINE SIB-S CS :

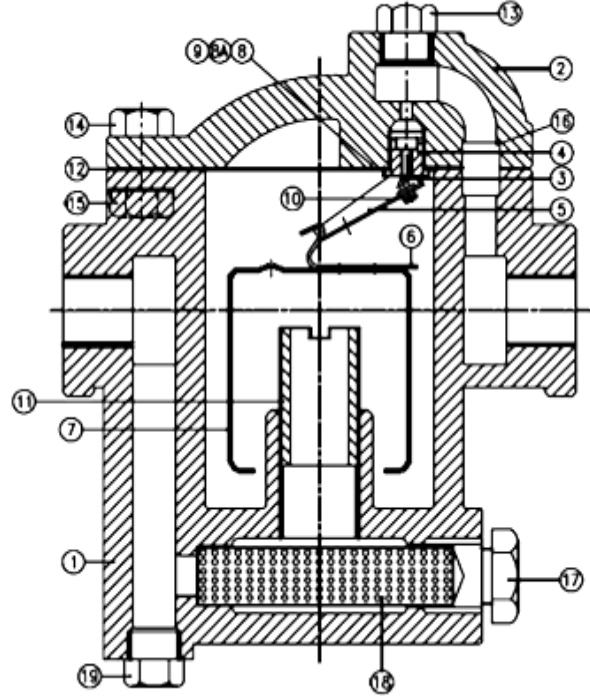
Bill of Materials :

S. No	Description	Material
1	Body (Cast Steel)	ASTM A216 GR WCB
2	Cover (Cast Steel)	ASTM A216 GR WCB
3	Valve	Chrome Steel
4	Valve Seat	Chrome Steel
5	Lever	S.S 304 Sheet
6	Bucket Clip	S.S 304 Sheet
7	Bucket	S.S 304 Sheet
8	Guide pin plate	S.S 304 Sheet
8A	Guide pins	S.S 304
9	Screw for Guide Pin Plate	S.S 304
10	Valve Clip	S.S 304 Sheet
11	Pipe/Strainer (Optional)	Class C /S.S 304
12	Gasket	Flexicarb SR
13	Cover Plug	Steel
14	Bolt	ASTM A193 B7
15	Nut	ASTM A194 2H
16	Thimble	S.S 304
17	Body Plug	Steel
18	Bucket Weight	C.I ASTM A48 Class 30

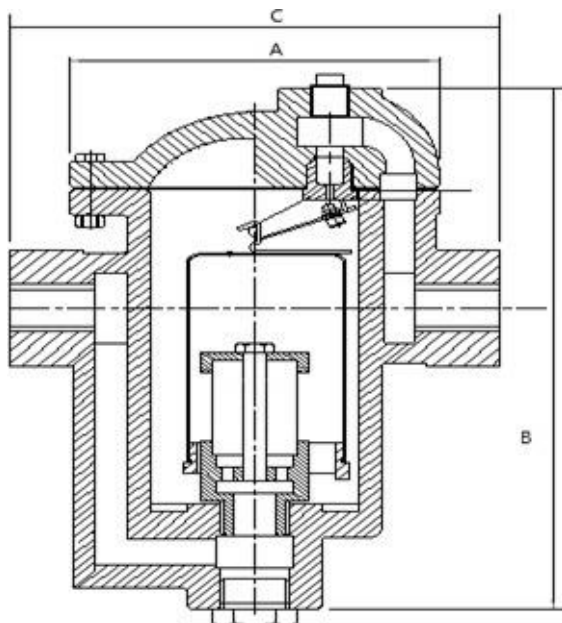


Bill of Materials : With Strainer

S. No	Description	Material
1	Body (Cast Steel)	ASTM A216 GR WCB
2	Cover (Cast Steel)	ASTM A216 GR WCB
3	Valve	Chrome Steel
4	Valve Seat	Chrome Steel
5	Lever	S.S 304 Sheet
6	Bucket Clip	S.S 304 Sheet
7	Bucket	S.S 304 Sheet
8	Guide pin plate	S.S 304 Sheet
8A	Guide pins	S.S 304
9	Screw for Guide Pin Plate	S.S 304
10	Valve Clip	S.S 304 Sheet
11	Pipe/Strainer (Optional)	Class C /S.S 304
12	Gasket	Flexicarb SR
13	Cover Plug	Steel
14	Bolt	ASTM A193 B7
15	Nut	ASTM A194 2H
16	Thimble	S.S 304
17	Strainer Plug	Steel
18	Strainer Screen	AISI 304
19	Body Plug	Steel



Dimension Table:



SIZE		A		B		C		Weight	
in	mm	in	mm	in	mm	in	mm	lbs	kg
1/2	15	3-3/4	95	6-3/6	157	5-1/6	128	9	4
3/4	20	3-3/4	95	7-1/4	184	5-1/6	128	9	4
1	25	5-5/8	143	9-3/8	238	6-7/8	174	20	9
1-1/4	32	7	178	12-3/8	314	8-5/16	211	40	18
1-1/2	40	8	203	13-3/4	350	9-1/4	235	55	25
2	50	9-1/16	230	16-5/16	415	10-1/4	260	85	38

- Sizes 1/2" to 1 1/4" will be provided with strainer

Capacity Chart : CI

(Pressure - Psi & Capacity- lbs/hr)

TRAP SIZE	ORIFICE		1	5	10	15	20	25	30	40	60	70	80	100	125	130	150	180	200	225	250	
	SIZE	MOP																				
1/2"	3/16	20	275	450	580	640	690															
	1/8	80	150	270	350	385	420	450	490	530	620	670	700									
	7/64	125	110	200	260	300	330	360	400	425	500	530	580	640	690							
	3/32	150	80	145	190	230	255	275	300	330	390	410	440	480	540	545	570					
3/4"	1/4	15	460	770	930	1060																
	3/16	30	330	550	700	800	880	950	1000													
	5/32	70	220	380	480	560	610	650	700	770	900	950										
	1/8	125	160	280	375	430	480	510	560	610	710	760	800	880	950							
	7/64	200	110	205	270	320	360	380	410	460	520	580	610	665	735	750	780	810	850			
3/32	250	-	155	205	240	270	290	315	360	410	450	470	520	575	585	620	670	700	730	760		
1"	5/16	15	860	1500	1900	2100																
	1/4	30	650	1100	1410	1630	1800	1900	2050													
	3/16	70	490	850	1100	1250	1400	1500	1650	1800	2100	2200										
	5/32	125	325	600	780	900	1000	1100	1180	1300	1500	1570	1650	1800	2000							
	1/8	200	190	370	480	550	630	680	750	840	1000	1060	1140	1225	1375	1410	1500	1560	1600			
7/64	250	130	250	330	400	450	490	530	600	720	770	810	900	1010	1020	1100	1170	1230	1280	1300		
1.1/4"	1/2	15	1880	2900	3500	3900																
	3/8	30	1400	2300	2700	3300	3500	3800	4000													
	5/16	60	1100	1800	2400	2750	3050	3200	3600	3800	4400											
	9/32	80	820	1500	1800	2000	2400	2600	2800	3100	3600	3800	4000									
	1/4	125	620	1150	1460	1750	1950	2150	2300	2550	2950	3100	3300	3600	3900							
	7/32	180	480	880	1180	1350	1550	1700	1800	2200	2500	2700	2820	3100	3200	3300	3500	3700				
3/16	250	380	700	930	1100	1250	1350	1450	1800	2050	2200	2300	2500	2600	2700	2800	3020	3200	3400	3500		
1.1/2"	5/8	15	2900	4800	5800	6500																
	1/2	30	2250	3700	4750	5200	6000	6500	6800													
	3/8	60	1600	2800	3600	4100	4800	5000	5400	5800	6800											
	11/32	80	1280	2300	3000	3500	3800	4100	4500	4950	5700	6000	6400									
	5/16	125	1200	1950	2600	3000	3300	3800	3950	4200	5000	5250	5600	6200	6700							
	9/32	180	950	1500	1900	2250	2600	2750	3000	3300	3800	4250	4500	4800	5500	5600	5700	6000				
	1/4	250	600	1190	1600	1850	2100	2250	2450	2800	3200	3350	3800	3900	4300	4450	4700	5000	5300	5500	5700	
2"	3/4	15	4160	7100	8900	10000																
	9/16	30	3100	5200	6800	7700	8500	9200	9800													
	7/16	60	2200	3800	5000	5900	6400	6900	7600	8300	9500											
	3/8	100	1800	3200	4300	5100	5700	6000	6400	7200	8500	9200	9700	10400								
	11/32	130	1600	2950	3800	4700	5200	5800	6100	6800	8000	8500	9000	9800	10800	11000						
	5/16	180	1200	2300	3050	3500	4100	4400	4800	5400	6300	6800	7250	8000	8900	9000	9500	10000				
9/32	225	1000	1900	2700	3100	3500	3800	4200	4800	5700	6000	6200	7000	7700	7800	8100	8900	9200	9800			
1/4	250	700	1300	1750	2050	2300	2550	2800	3100	3800	4000	4300	4600	5100	5150	5500	5950	6350	6650	7000		



Capacity Chart : CS

(Pressure - Psi & Capacity- lbs/hr)

Trap Size	Orifice		1	5	10	15	20	25	30	40	60	70	80	100	125	130	150	180	200	225	250	300	362	450	500	600	
	Size	MOP	(.069)	(.345)	(.690)	(1.03)	(1.38)	(1.72)	(2.07)	(2.76)	(4.14)	(4.83)	(5.52)	(6.90)	(8.62)	(8.97)	(10.3)	(12.4)	(13.8)	(15.5)	(17.2)	(20.7)	(25.0)	(31.0)	(34.5)	(41.4)	
1/2"	1/4	15	460	770	930	1060																					
	3/16	30	330	550	700	800	880	950	1000																		
	5/32	70	220	380	480	560	610	650	700	770	900	950															
	1/8	125	160	280	375	430	480	510	560	610	710	760	800	880	950												
	7/64	200	110	205	270	320	360	380	410	460	520	580	610	665	735	750	780	810	850								
	3/32	250	-	155	205	240	270	290	315	360	410	450	470	520	575	585	620	670	700	730	760						
5/64	300	-	-	-	-	-	-	-	-	-	-	-	-	-	-	-	-	-	-	-	550						
3/4"	5/16	15	860	1500	1900	2100																					
	1/4	30	650	1100	1410	1630	1800	1900	2050																		
	3/16	70	490	850	1100	1250	1400	1500	1650	1800	2100	2200															
	5/32	125	325	600	780	900	1000	1100	1180	1300	1500	1570	1650	1800	2000												
	1/8	200	190	370	480	550	630	680	750	840	1000	1060	1140	1225	1375	1410	1500	1560	1600								
	7/64	250	130	250	330	400	450	490	530	600	720	770	810	900	1010	1020	1100	1170	1230	1280	1300						
3/32	362	-	-	-	-	-	-	-	-	-	-	-	-	-	-	-	-	-	-	-	1080	1150					
1"	1/2	15	1880	2900	3500	3900																					
	3/8	30	1400	2300	2700	3300	3500	3800	4000																		
	5/16	60	1100	1800	2400	2750	3050	3200	3600	3800	4400																
	9/32	80	820	1500	1800	2000	2400	2600	2800	3100	3600	3800	4000														
	1/4	125	620	1150	1460	1750	1950	2150	2300	2550	2950	3100	3300	3600	3900												
	7/32	180	480	880	1180	1350	1550	1700	1800	2200	2500	2700	2820	3100	3200	3300	3500	3700									
	3/16	250	380	700	930	1100	1250	1350	1450	1800	2050	2200	2300	2500	2600	2700	2800	3020	3200	3400	3500						
	5/32	450	-	-	-	-	-	-	-	-	-	-	-	-	-	-	-	-	-	-	-	2500	2600				
1/8	600	-	-	-	-	-	-	-	-	-	-	-	-	-	-	-	-	-	-	-	-	-	2200	2300	2400		
1 1/2"	5/8	15	2900	4800	5800	6500																					
	1/2	30	2250	3700	4750	5200	6000	6500	6800																		
	3/8	60	1600	2800	3600	4100	4800	5000	5400	5800	6800																
	11/32	80	1280	2300	3000	3500	3800	4100	4500	4950	5700	6000	6400														
	5/16	125	1200	1950	2600	3000	3300	3800	3950	4200	5000	5250	5600	6200	6700												
	9/32	180	950	1500	1900	2250	2600	2750	3000	3300	3800	4250	4500	4800	5500	5600	5700	6000									
	1/4	250	600	1190	1600	1850	2100	2250	2450	2800	3200	3350	3800	3900	4300	4450	4700	5000	5300	5500	5700						
	7/32	362	-	-	-	-	-	-	-	-	-	-	-	-	-	-	-	-	-	-	-	4100	5000	5200			
	3/16	500	-	-	-	-	-	-	-	-	-	-	-	-	-	-	-	-	-	-	-	-	-	3900	4200	4500	
5/32	600	-	-	-	-	-	-	-	-	-	-	-	-	-	-	-	-	-	-	-	-	-	-	-	3200	3500	
2"	3/4	15	4160	7100	8900	10000																					
	9/16	30	3100	5200	6800	7700	8500	9200	9800																		
	7/16	60	2200	3800	5000	5900	6400	6900	7600	8300	9500																
	3/8	100	1800	3200	4300	5100	5700	6000	6400	7200	8500	9200	9700	10400													
	11/32	130	1600	2950	3800	4700	5200	5800	6100	6800	8000	8500	9000	9800	10800	11000											
	5/16	180	1200	2300	3050	3500	4100	4400	4800	5400	6300	6800	7250	8000	8900	9000	9500	10000									
	9/32	225	1000	1900	2700	3100	3500	3800	4200	4800	5700	6000	6200	7000	7700	7800	8100	8900	9200	9800							
	1/4	350	700	1300	1750	2050	2300	2550	2800	3100	3800	4000	4300	4600	5100	5150	5500	5950	6350	6650	7000	7200	7200				
	7/32	-	-	-	-	-	-	-	-	-	-	-	-	-	-	-	-	-	-	-	-	-	-	6100	7000	7200	
3/16	-	-	-	-	-	-	-	-	-	-	-	-	-	-	-	-	-	-	-	-	-	-	-	-	5200	6000	

ECOLINE SBF-S

Ball Float Steam Traps (with Thermostatic Vent)

Size : 1/2"-2"
 MOC : Cast Iron/Ductile Iron/Cast Steel
 Design : Manufacturer Std



Applications

- Heating Coils,
- Hot water heaters
- Steam Separators
- Heat Exchangers
- Dryers
- Dehumidifiers

Maximum Allowable Pressure & Temperature:

Ecoline Models	MOC	Max. Allowable Pressure	Max. Allowable Temperature
SBF-S CI	Cast Iron	14 Bar @ 210°C	210°C
SBF-S CS	Cast Steel	32 Bar @ 300°C	300°C
SBF-S SG	Ductile Iron	16 Bar @ 260°C	260°C

End Connection :

Steam Trap Model	End Connection
SBF-S CI	Screwed (NPT/BSP)
SBF-S CS	Screwed (NPT/BSP) Socket weld
SBF-S SG	Screwed (NPT/BSP)

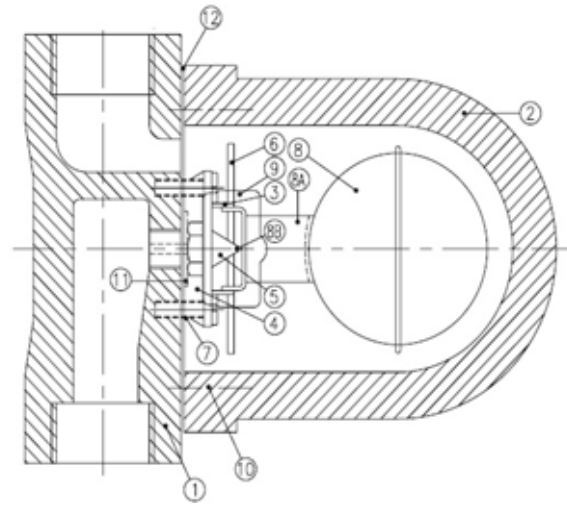
Options:

SLR (Steam Lock Release)

Needle type valve arrangement to remove gases and air by opening during start-up and closes later to prevent steam losses.

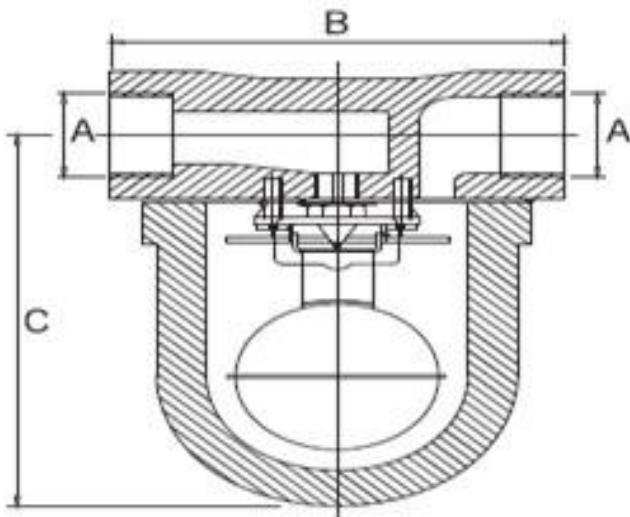
ECOLINE SBF-S CI :
Bill of Materials :

S. No	Description	Material
1	Cover Screwed	C.I ASTM A48 Class 30
2	Body	C.I ASTM A48 Class 30
3	Pivot Frame	S.S 304
4	Support Frame	S.S 304
5	Valve Seat	S.S 410
6	Pivot Pin	S.S 304
7	Set Screws	S.S 304
8	Ball Float with Lever	S.S 304
8A	Float Clip	S.S 304
8B	Float Valve	SAE Gr.5
9	Thermostatic Element	S.S 304
10	Cover Bolt	SAE Gr.5
11	Valve Seat Gasket	S.S 304
12	Cover Gasket	NON ASB



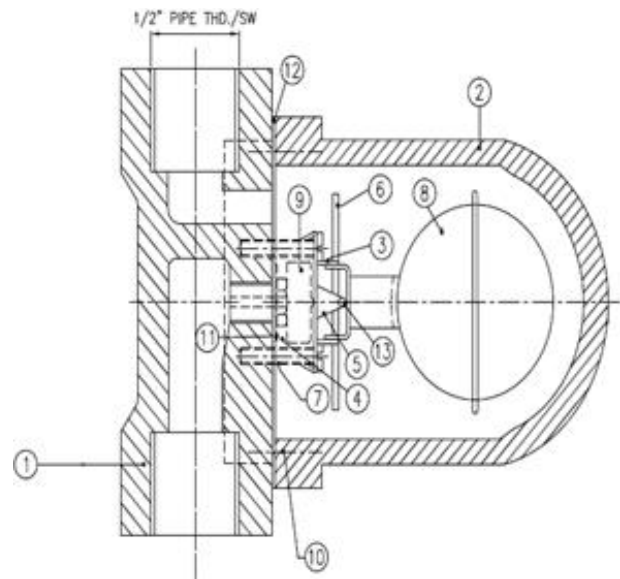
Dimension Table:

SIZE		A		B		C		Weight	
in	mm	in	mm	in	mm	in	mm	lbs	kg
1/2	15	1/2	15	5 1/16	128	5 3/4	148	10.5	4.8
3/4	20	3/4	20	5 1/16	128	5 3/4	148	10.5	4.8
1	25	1	25	5 1/16	128	7 1/2	190	18.7	8.5
1 1/2	40	1 1/2	40	11	280	10	254	49	22.5
2	50	2	50	12 1/8	308	10 1/4	260	61	28

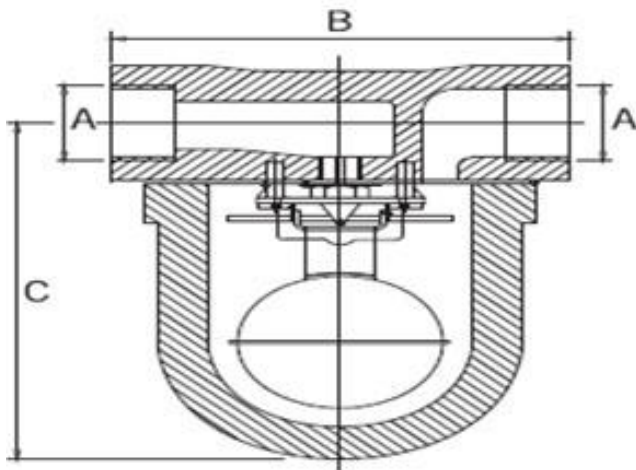


ECOLINE SBF-S CS :
Bill of Materials :

S. No	Description	Material
1	Cover Screwed/SW	ASTM A216 Gr. WCB
2	Body	ASTM A216 Gr. WCB
3	Pivot Frame	S.S 304
4	Support Frame	S.S 304
5	Valve Seat	S.S 410
6	Pivot Pin	S.S 304
7	Set Screws	S.S 304
8	Ball Float with Lever	S.S 304
9	Thermostatic Element	S.S 304
10	Cover Bolt	SAE Gr.8
11	Valve Seat Gasket	S.S 304
12	Cover Gasket	Flexicarb SR
13	Valve	S.S 304
13	Cover Plug	Steel



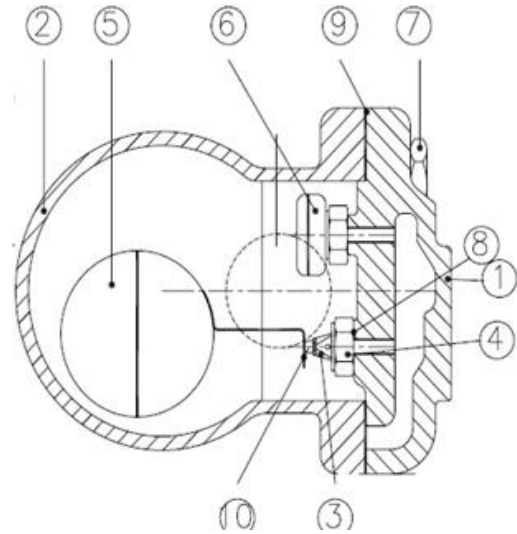
Dimension Table:



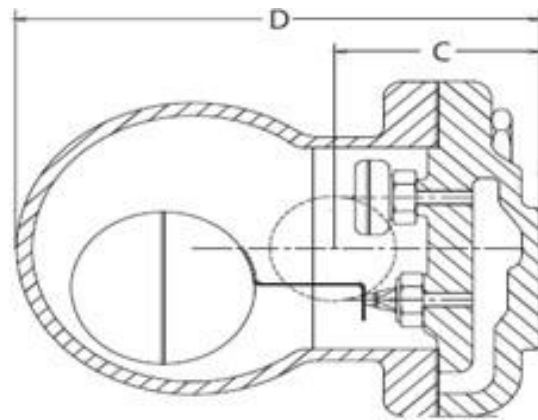
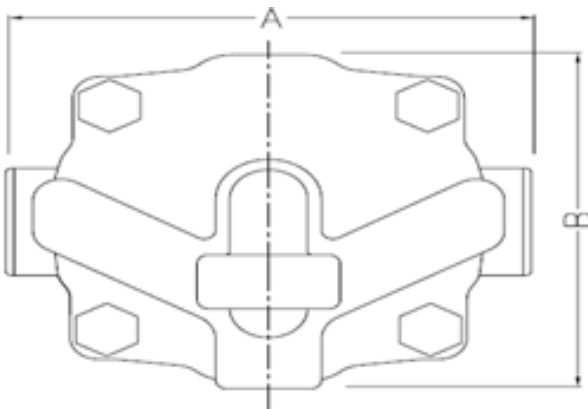
SIZE		A		B		C		Weight	
in	mm	in	mm	in	mm	in	mm	lbs	kg
1/2	15	1/2	15	5 1/16	128	5 3/4	148	10.5	4.8
3/4	20	3/4	20	5 1/16	128	5 3/4	148	10.5	4.8
1	25	1	25	5 1/16	128	7 1/2	190	18.7	8.5
1 1/2	40	1 1/2	40	11	280	10	254	49	22.5
2	50	2	50	12 1/8	308	10 1/4	260	61	28

ECOLINE SBF-S SG :
Bill of Materials :

S. No	Description	Material
1	Cover Screwed	ENGJS-400-18 DIN1693 GGG40
2	Body	ENGJS-400-18 DIN1693 GGG40
3	Pivot Frame	S.S 304
4	Valve Seat	S.S 410
5	Ball float with lever	S.S 304
6	Thermostatic Element	S.S 304
7	Cover Bolt	SAE Gr.5
8	Valve Seat Gasket	S.S 304
9	Cover Gasket	NON ASB
10	Valve	S.S 304



Dimension Table:



SIZE		A		B		C		Weight	
in	mm	in	mm	in	mm	in	mm	lbs	kg
1/2	15	4 13/16	122	4 1/4	108	2 5/8	67	9	4
3/4	20	4 13/16	122	4 1/4	108	2 5/8	67	9	4
1	25	5 11/16	145	4 1/4	108	3	76	11	5
1 1/2	40	1 1/2	40	11	280	10	254	49	22.5
2	50	2	50	12 1/8	308	10 1/4	260	61	28

Capacity Chart : CI

TRAP SIZE	MOP	1	5	10	15	20	30	40	50	65	80	100	125	145	180	200
1/2"	65	250	400	520	600	700	830	950	1000	1150						
	145	135	210	280	330	380	420	480	520	580	630	700	750	800		
	200	85	150	195	240	280	310	355	390	430	480	515	545	600	660	700
3/4"	65	250	400	520	600	700	830	950	1000	1150						
	145	135	210	280	330	380	420	480	520	580	630	700	750	800		
	200	85	150	195	240	280	310	355	390	430	480	515	545	600	660	700
1"	900	1550	2100	2500	3000	3650	4000	4500	5100							
	385	660	910	1100	1300	1500	1750	2000	2200	2400	2800	3100	3300			
	200	270	470	640	750	910	1100	1300	1400	1600	1750	1850	2100	2200	2600	2750
1.1/2"	65	2300	4200	6000	7500	8800	10500	12500	13500	15000						
	145	1500	2800	3900	4800	5600	7000	8000	9000	10000	11500	13000	14200	15000		
	200	1100	1800	2600	3200	3600	4200	5000	5450	6000	6900	7800	8600	9000	9650	10000
2"	65	7400	13500	19800	24000	28000	34000	40000	45000	50500						
	145	3900	7300	10000	12300	14500	17500	20000	22500	26000	29000	32000	35000	40000		
	200	1850	3500	5000	5900	6800	8400	9600	10500	12000	13500	15000	16500	17500	19000	20000

Capacity Chart : CS

TRAP SIZE	MOP	1	2	3	5	10	20	40	50	65	80	100	125	145	180	200	300	400	465	
1/2"	65	220	310	340	400	520	700	950	1000	1150										
	145	130	180	210	275	380	530	720	800	900	1000	1080	1250	1380						
	200	90	130	155	200	290	400	570	640	700	800	900	1020	1100	1240	1300				
	300	50	70	85	110	145	200	280	315	350	400	430	480	520	580	610	700			
	465	30	45	52	65	90	120	155	170	200	215	250	280	300	325	345	400	425	440	
3/4"	65	220	310	340	400	520	700	950	1000	1150										
	145	130	180	210	275	380	530	720	800	900	1000	1080	1250	1380						
	200	90	130	155	200	290	400	570	640	700	800	900	1020	1100	1240	1300				
	300	50	70	85	110	145	200	280	315	350	400	430	480	520	580	610	700			
	465	30	45	52	65	90	120	155	170	200	215	250	280	300	325	345	400	425	440	
1"	65	780	1100	1280	1650	2200	3050	4200	5000	5200										
	145	400	575	670	870	1250	1650	2350	2600	3000	3200	3500	3900	4100						
	200	300	425	500	640	800	1250	1600	1800	2000	2200	2550	2780	2900	3020	3100				
	300	20	310	340	400	520	700	950	1000	1150	1600	1850	2020	2150	2350	2500	2800			
	465	130	180	210	275	380	530	720	800	900	1000	1080	1250	1380	1440	1500	1800	2000	2050	
1.1/2"	65	2400	3420	4100	5500	7700	11000	15000	16500	18000										
	145	1250	1770	2100	2800	3900	5600	8000	9000	10000	11500	13000	14200	15000						
	200	800	1150	1370	1800	2600	3600	5000	5450	6000	6900	7800	8600	9000	9650	10000				
	300	800	1150	1370	1800	2600	3600	5000	5450	6000	6900	7800	8600	9000	9650	10000	13000			
	465	800	1150	1370	1800	2600	3600	5000	5450	6000	6900	7800	8600	9000	9650	10000	13000	14300	15000	
2"	65	8500	12000	14000	18000	23000	35000	43000	52000	60000										
	145	3100	4400	5360	7300	10000	14500	20000	22500	26000	29000	32000	35000	40000						
	200	1560	2700	2970	3500	5000	6800	9600	10500	12000	13500	15000	16500	17500	19000	20000				
	300	1560	2700	2970	3500	5000	6800	9600	10500	12000	13500	15000	16500	17500	19000	20000	27000			
	465	1560	2700	2970	3500	5000	6800	9600	10500	12000	13500	15000	16500	17500	19000	20000	27000	29800	31000	

Capacity Chart : SG

TRAP SIZE	MOP	1	5	10	15	20	30	40	50	65	80	100	125	145	180	200
1/2"	65	250	400	520	600	700	830	950	1000	1150	-	-	-	-	-	-
	145	135	210	280	330	380	420	480	520	580	630	700	750	800	-	-
	200	85	150	195	240	280	310	355	390	430	480	515	545	600	660	700
3/4"	65	250	400	520	600	700	830	950	1000	1150	-	-	-	-	-	-
	145	135	210	280	330	380	420	480	520	580	630	700	750	800	-	-
	200	85	150	195	240	280	310	355	390	430	480	515	545	600	660	700
1"	65	600	1050	1430	1550	1750	1950	2150	2400	2750	-	-	-	-	-	-
	145	320	480	620	700	820	950	1080	1200	1320	1380	1550	1650	2200	-	-
	200	130	260	330	390	440	480	580	620	700	740	850	920	1030	1090	1150
1 1/2"	65	2300	4200	6000	7500	8800	10500	12500	13500	15000						
	145	1500	2800	3900	4800	5600	7000	8000	9000	10000	11500	13000	14200	15000		
	200	1100	1800	2600	3200	3600	4200	5000	5450	6000	6900	7800	8600	9000	9650	10000
2"	65	7400	13500	19800	24000	28000	34000	40000	45000	50500						
	145	3900	7300	10000	12300	14500	17500	20000	22500	26000	29000	32000	35000	40000		
	200	1850	3500	5000	5900	6800	8400	9600	10500	12000	13500	15000	16500	17500	19000	20000



ECOLINE STH-S

Thermodynamic Steam Traps

Size : ½" – 1"

MOC : Stainless Steel, Alloy Steel

Design : Manufacturer Standard



Applications

- Steam Tracing lines
- Low Cost Applications

Maximum Allowable Pressure

STH-S SS : 42 Bar @ 427°C

STH-S AS : 62 Bar @ 540°C

STH-S AS : 170 Bar @ 540°C

Maximum Allowable Temperature

STH-S SS : 427°C

STH-S AS : 540°C

STH-S AS : 540°C

End Connection

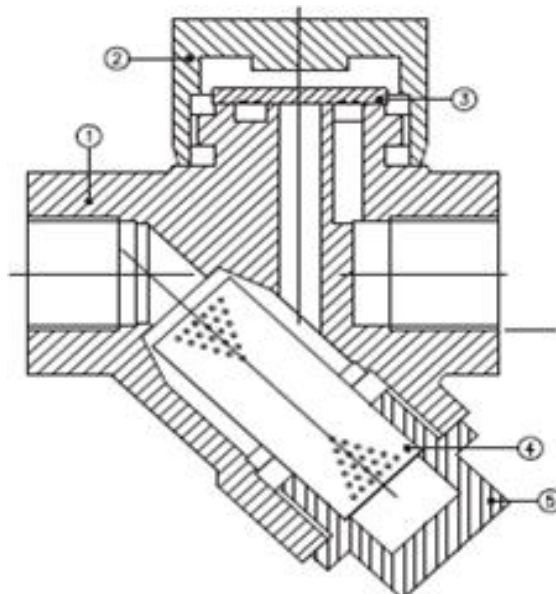
Screwed (NPT/BSP)

Socket Weld

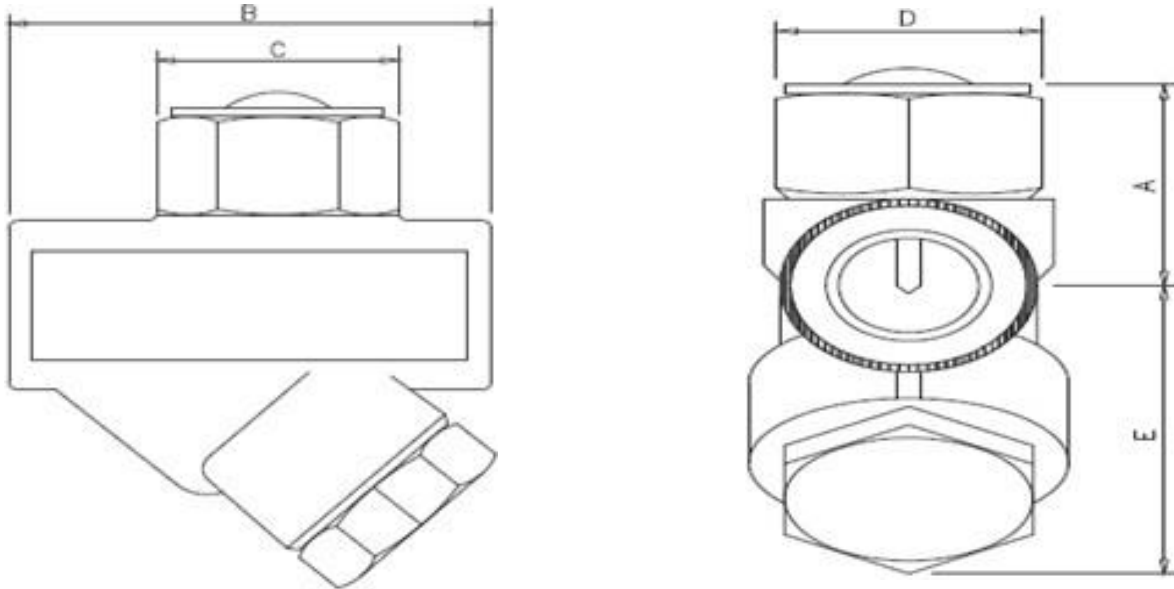
Ecoline STH-S SS :

Bill of Materials :

S. No	Description	Material
1	Body	ASTM A743 Gr.CA40
2	Cap	ASTM A743 Gr.CA40
3	Control Disc	S.S AISI 420
4	Strainer Screen	S.S AISI 304
5	Strainer plug	ASTM A743 Gr.CA40



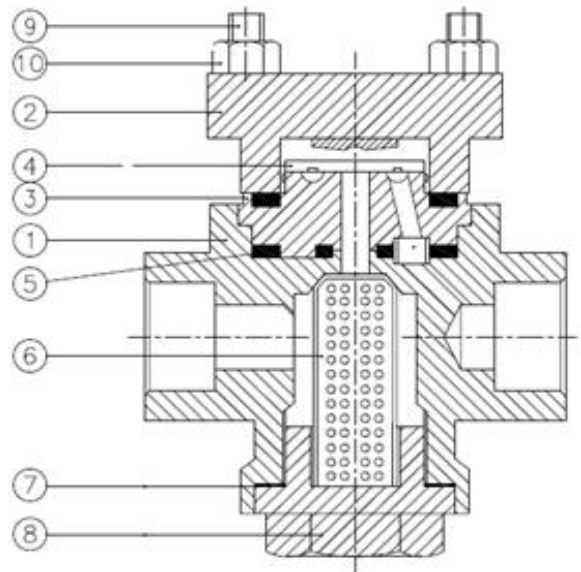
Dimension Table:



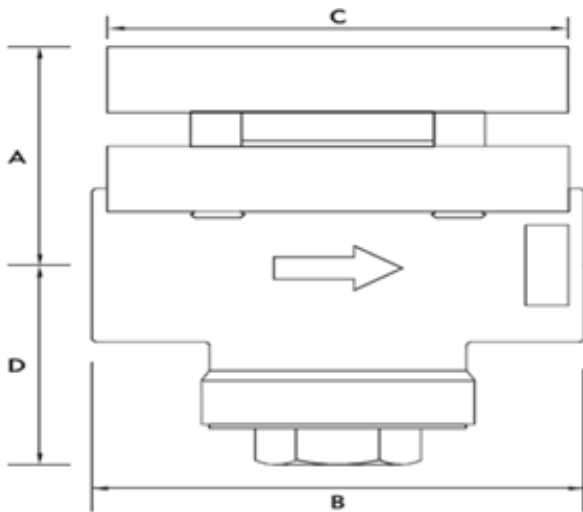
SIZE		A		B		C		D		E		Weight	
in	mm	in	mm	in	mm	in	mm	in	mm	in	mm	lbs	kg
1/2	15	2 4/9	62	3	77	1 8/9	48	1 3/5	41	2 1/3	60	2.5	1
3/4	20	2 4/9	62	3	77	1 8/9	48	1 3/5	41	2 1/3	60	2.5	1
1	25	2 5/7	69	3 2/9	82	1 8/9	48	1 3/5	41	2 1/2	63	3.5	1.5

ECOLINE STH-S AS :
Bill of Materials :

S. No	Description	Material
1	Body	ASTM A217 Gr WC6
2	Cover	ASTM A217 Gr WC6
3	Seat	Chromium Steel
4	Disc	Chromium Steel
5	Seat Gasket	Spirally Wound S.S 304
6	Strainer	S.S 304
7	Strainer Gasket	S.S 304
8	Strainer Plug	A217 Gr.WC6
9	Bolt	ASTM A193 B7
10	Nut	ASTM A194 2H



Dimension Table :

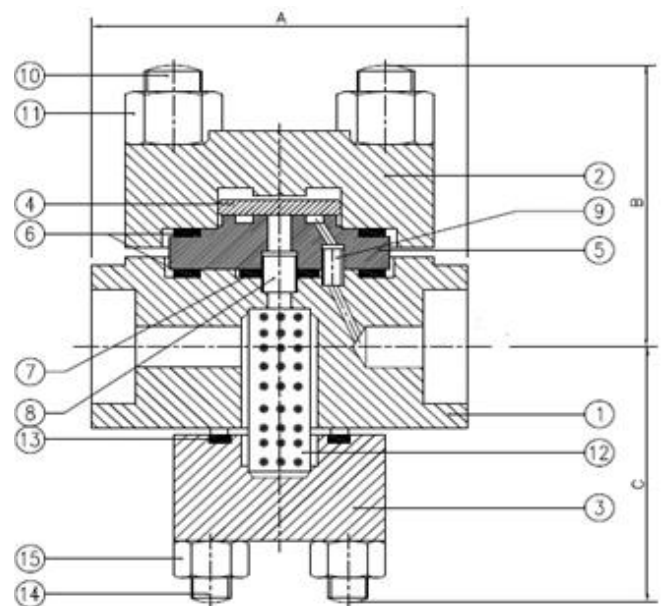


SIZE		A		B		C		D		Weight	
in	mm	in	mm	in	mm	in	mm	in	mm	lbs	kg
1/2	15	2 1/3	60	3 1/2	90	2 3/5	66	2	52	6.5	3
3/4	20	2 1/3	60	3 1/2	90	2 3/5	66	2	52	6.5	3
1	25	2 3/5	66	4	100	2 3/5	66	1 4/5	46	10	4

ECOLINS-S STH AS :

Bill of Materials :

S. No	Description	Material
1	Body	ASTM A 182 Gr. F22 CL3
2	Cover	ASTM A 182 Gr. F22 CL3
3	Strainer Cover	ASTM A 182 Gr. F22 CL3
4	Disc	AISI D2
5	Disc Seat	AISI D2
6	Gasket Outer	SP. WND SS304
7	Gasket inner	SP. WND SS304
8	Inlet Thimble	AISI 304
9	Outlet Thimble	AISI 304
10	Stud for Cover	ASTM A193 Gr B16
11	Nut for Cover	ASTM A194 Gr 7
12	Strainer Screen	AISI 304
13	Strainer Gasket	SP.WND SS304
14	Stud for Strainer	ASTM A193 Gr B16
15	Nut for Strainer	ASTM A194 Gr 7



Dimension Table:



KSB Limited : Valves Division

151, Mettupalayam Road, NSN Palayam Post, Coimbatore - 641 031.
Tel.: 0422-2468222, 2468547-9 | www.ksb.com/en-in